



The RAY6-LED bollard is an architectural bollard in a sleek design that provides uniform, glare free illumination. The RAY6 features a 360° adjustable head and various beam configurations ranging from 60° to 360° to illuminate all angles.

Project	
Type	
Date	
Notes	

APPLICATIONS

The RAY6 bollard is an architectural bollard suitable for landscape and pathway lighting with glare free distribution. Ideal for use in walkways, townhouses, condos, and parkettes.

SPECIFICATIONS

Construction

Unit is a 6" round bollard with a 10" top cap. Body is made from extruded aluminum and has a custom designed twist lock mechanism for secure and easy installation. The cast aluminum base is secured with stainless steel set screws. Body has a powder coat finish.

Optics

Advanced optics are able to illuminate all areas of sight. Various beam configurations ranging from 60°, 120°, 180°, 240°, 300° and 360°.

LEDS

Unit consists of 6 LED modules which can be removed to direct the light in desired direction. Color temperature is 5000K standard, 4,000K and 3,000K are available as options.

Electrical

Unit has high efficiency drivers that are 120 - 277 volts standard. 24V DC and 24V AC are available as options.

Mounting

Cast aluminum base is secured with stainless steel screws. Custom twist lock mechanism securely anchors lower body to the base.

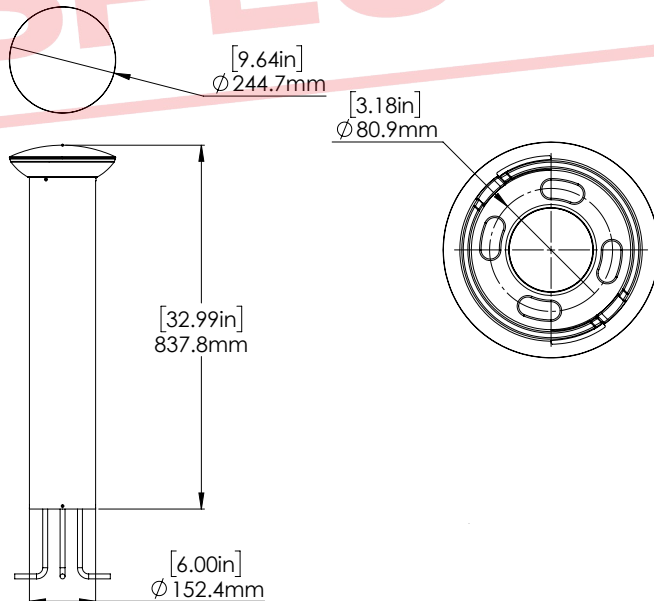
Finish

Standard powder coat finish is Bronze, Custom colors are available upon request.

Input Watts	max. 35
Lumens	4,200
Efficacy	120 lumens per watt

Operating Temperature	-40°C to +40°C
Warranty	5 Years
Color Temperature	5000K (standard)
LED life	100,000 hours

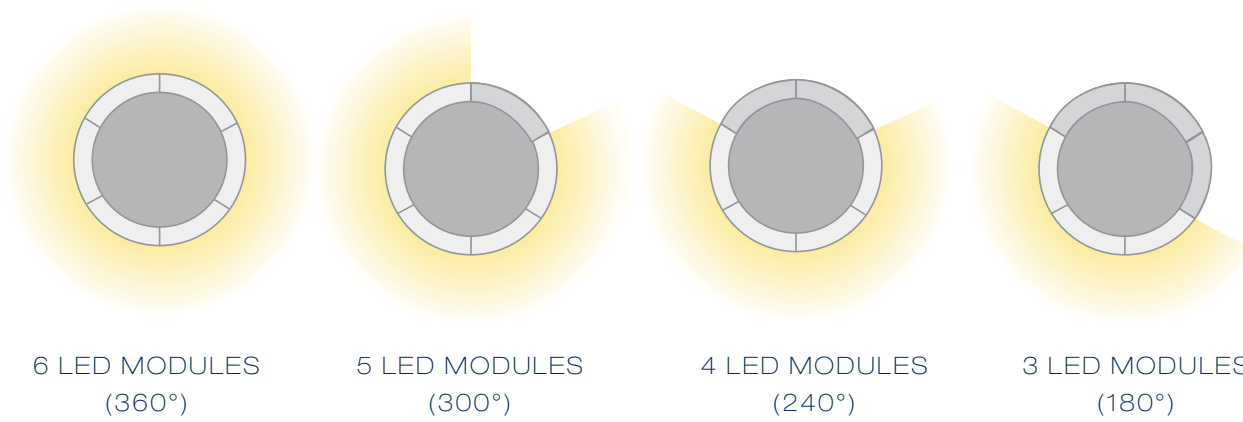
DIMENSIONS



CUSTOM DESIGNED TWIST LOCK MECHANISM



VARIOUS BEAM CONFIGURATIONS



360° ADJUSTABLE HEAD

ORDERING GUIDE

RAY6	-		-		-		-			
		LED35		VOLTAGE		COLOR TEMP.		LED CONFIGURATION		FINISH
				B - 120 - 277V*		5K - 5000K* 4K - 4000K 3K - 3000K		180° 240° 300° 360°		BRZ - BRONZE* CC - CUSTOM COLOR

* Standard configuration