



The RAL-LED40 is a high efficiency area light with a Type 5 distribution. Intelligently designed, this fixture provides superior lighting performance and significant energy savings over traditional fixtures.

### APPLICATIONS

**Ideal for parking lots, pathways and perimeter lighting applications**

<b>Project</b>	
<b>Type</b>	
<b>Date</b>	
<b>Notes</b>	

### SPECIFICATIONS

#### Construction

Precision die cast aluminum housing with prismatic polycarbonate lens. The fixture offers superior heat sinking with continuous air-flow fins around the perimeter of the fixture.

#### Optics

Unit has 6 high efficiency LED Chips on Board (COB) that have an efficacy (lumens/watt) of 90. The LEDs have a color temperature of 5000K. (4000K option also available) The operating temperature range is -40°C to +40°C. LED life is 100,000 hours.

#### Beam Distribution

Available in a Type 5 beam distribution. Also available in a type 3 beam distribution as an option.

#### Mounting

Standard unit comes with a spider mount assembly that slip fits a 2-3/8" diameter tenon.

#### Electrical

Total system wattage is 40W. The standard unit has a high efficiency driver that operates at 120 - 277V.

#### Finish

Standard finish is Bronze. Please consult factory for custom color.

#### Options

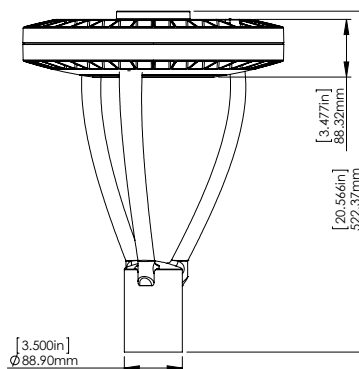
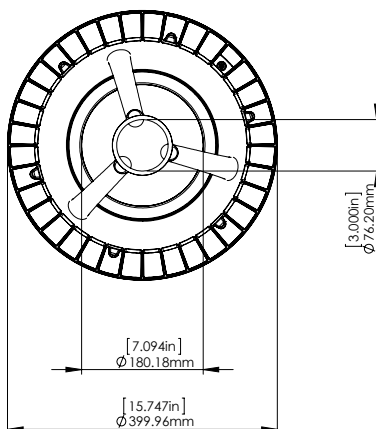
- Photocell
- 0-10V Dimming

#### Warranty

5 years

<b>Input Watts</b>	<b>40W</b>
<b>Lumens</b>	<b>min. 3,600</b>
<b>Efficacy</b>	<b>min. 90 lumens per watt</b>
<b>Equivalent to</b>	<b>150W MH</b>
<b>Beam Distribution</b>	<b>Type 5 (standard) Type3 (option)</b>
<b>Operating Temperature</b>	<b>-40°C to +40°C</b>
<b>Certification</b>	<b>cULus, IP65</b>
<b>Warranty</b>	<b>5 Years</b>
<b>Color Temperature</b>	<b>5000K (standard) 4000K (option)</b>
<b>LED Life</b>	<b>100,000 hours</b>

### DIMENSIONS



Shown with Photocell



ORDERING GUIDE

<b>RAL</b>	-	<b>LED40</b>	-		-		-		-	
				<b>VOLTAGE</b>		<b>COLOR TEMP</b>		<b>BEAM</b>		<b>FINISH</b>
				B - 120 - 277V*		5K - 5000K* 4K - 4000K		T5 - TYPE 5* T3 - TYPE 3		BRZ - BRONZE* CC - CUSTOM
										<b>MOUNT</b>
										PT - POST TOP MOUNTING
										<b>OPTIONS</b>
										DIM-0 - 10V Dimming PC - Photocell

\* Standard configuration