

The RAL-LED120 is a high efficiency area light with a Type 5 distribution. Intelligently designed, this fixture provides superior lighting performance and significant energy savings over traditional fixtures.



APPLICATIONS

Ideal for parking lots, pathways and perimeter lighting applications

Project	
Type	
Date	
Notes	

SPECIFICATIONS

Construction

Precision die cast aluminum housing with prismatic polycarbonate lens. The fixture offers superior heat sinking with continuous air-flow fins around the perimeter of the fixture.

Optics

Unit has 6 high efficiency LED Chips on Board (COB) that have an efficacy (lumens/watt) of 100. The LEDs have a color temperature of 5000K. (4000K option also available) The operating temperature range is -40°C to +40°C. LED life is 100,000 hours.

Beam Distribution

Available in a Type 5 beam distribution. Type 3 beam distribution is also available.

Mounting

Standard unit comes with a spider mount assembly that slip fits a 2-3/8" diameter tenon.

Electrical

Total system wattage is 120W. The standard unit has a high efficiency driver that operates at 120 - 277V. 10KV surge protection is standard.

Finish

Standard finish is Bronze. Please consult factory for custom color.

Options

- Photocell
- 0-10V Dimming

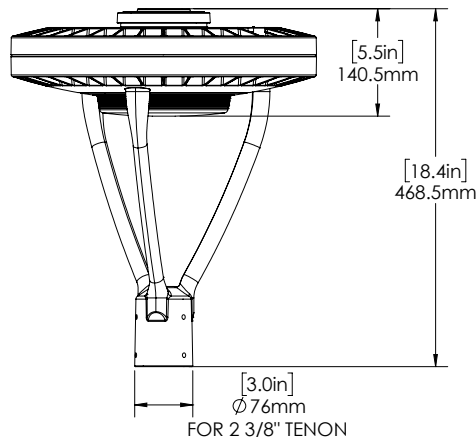
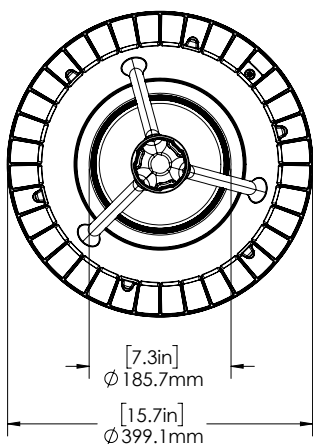
Warranty

5 years

Input Watts	120W
Lumens	min. 12,000
Efficacy	min. 100 lumens per watt
Equivalent to	320W MH
Beam Distribution	Type 5 (standard) Type 3 (option)

Operating Temperature	-40°C to +40°C
Certification	cULus, IP65
Warranty	5 Years
Color Temperature	5000K (standard) 4000K (option)
LED Life	100,000 hours

DIMENSIONS



Shown with Photocell



ORDERING GUIDE

RAL	-	LED120	-		-		-		-	
		VOLTAGE		COLOR TEMP		BEAM		FINISH		MOUNT
		B - 120 - 277V*		5K - 5000K* 4K - 4000K		T5 - TYPE 5* T3 - TYPE 3		BRZ - BRONZE* CC - CUSTOM		PT - POST TOP MOUNTING
										OPTIONS
										DIM-0 - 10V Dimming PC - Photocell

* Standard configuration