



ORBITA-LED120

LED Area Light



SPECIFICATIONS*

Watts	120.9W
Lumens	14098
Efficacy	116.61 lm/W
Color Temp	4,000K, 5,000K
Certification	cULus, DLC
Operating Temp	-40°C to +40°C
Voltage	120-277V, 480V
LED Life	100,000 hours
Housing Material	Aluminum
Lens Material	Polycarbonate
Total Harmonic Distortion	12.94
Power Factor	0.9498



DESCRIPTION

The ORBITA-LED is a sleek, modern architectural area light available in three different tops - Flat, Hemisphere and Grand.

APPLICATIONS



Parking Lots



Pathways

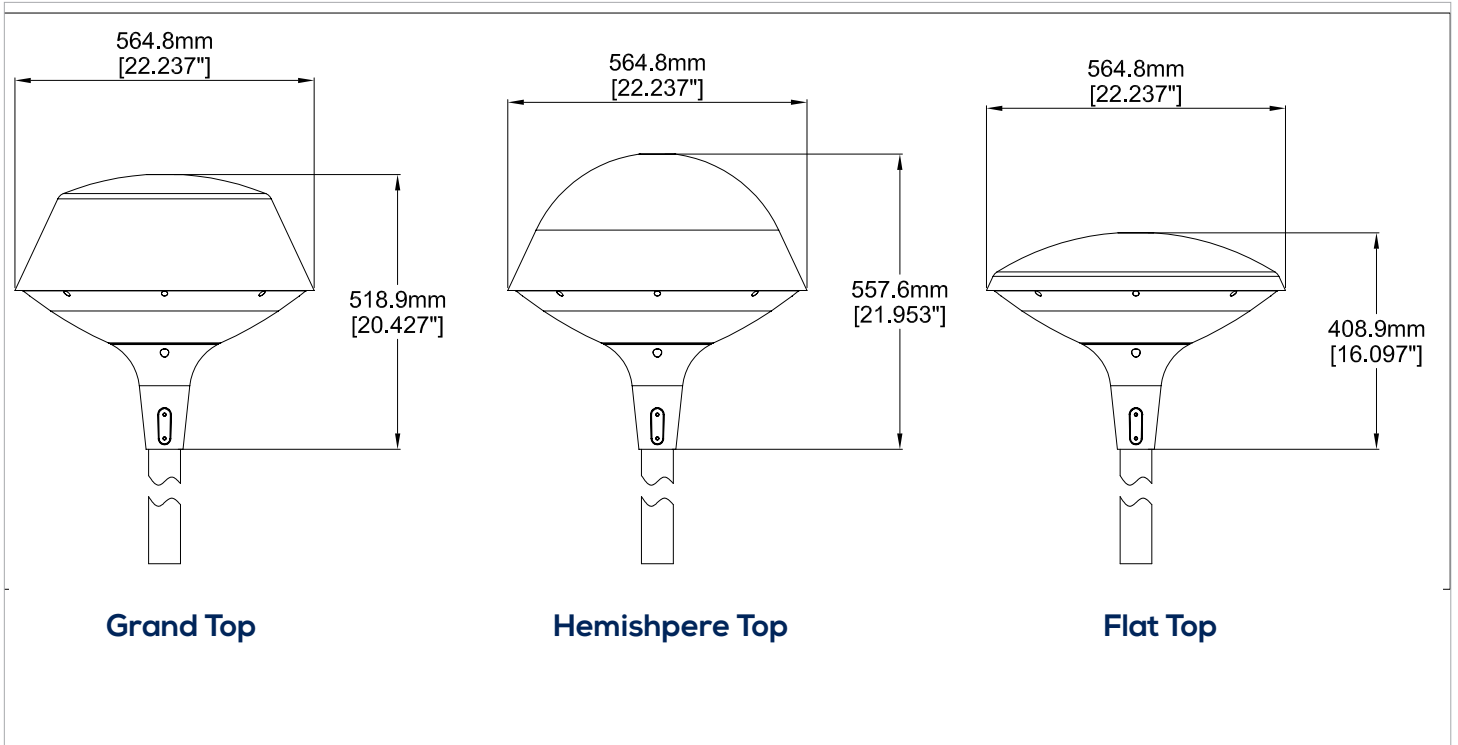


Area
Lighting

FEATURES

- Three unique tops to choose from
- Available in custom finishes for a unique look
- Type 5 beam distribution is standard.

DIMENSIONS



SPECIFICATIONS

MODEL DESCRIPTION	VOLTAGE (V)	INPUT POWER	LIGHT OUTPUT	EFFICACY (Lm/W)	THD	PF	CCT	CRI
ORBITA-XX-LED120-L-4K-T5-XXX-DIM	480	129.7	14530	112.03	19.61	0.9612	4000	80
ORBITA-XX-LED120-L-4K-T5-XXX	480	129.7	14530	112.03	19.61	0.9612	4000	80
ORBITA-XX-LED120-B-4K-T5-XXX-DIM	120-277	120.9	14098	116.61	12.94	0.9498	4000	80
ORBITA-XX-LED120-B-4K-T5-XXX	120-277	120.9	14098	116.61	12.94	0.9498	4000	80
ORBITA-XX-LED120-L-5K-T5-XXX-DIM	480	128.7	15244	118.45	19.87	0.9611	5000	80
ORBITA-XX-LED120-L-5K-T5-XXX	480	128.7	15244	118.45	19.87	0.9611	5000	80
ORBITA-XX-LED120-B-5K-T5-XXX-DIM	120-277	120.7	14584	120.83	12.97	0.9501	5000	80
ORBITA-XX-LED120-B-5K-T5-XXX	120-277	120.7	14584	120.83	12.97	0.9501	5000	80

Legend

B - 120-277V, L - 480V
 4K - 4000K, 5K - 5000K
 XXX- Finish
 XX- Mounting

ORDERING GUIDE

ORBITA						
	TOP	WATTAGE	VOLTAGE	COLOR TEMP.	FINISH	OPTIONS
	FL - FLAT	LED 120	B - 120 - 277V*	4K - 4000K*	GRY - GREY*	PC - PHOTOCELL
	HS- HEMISPHERE		L - 480V	5K - 5000K	CC - CUSTOM COLOR	
	GR - GRAND					

* Standard configuration