

New improved IP66 linear vaporproof fixture that is rugged in design, with conduit entries on the back and the side for ease of installation.



APPLICATIONS

Ideal for parking lots, industrial applications, agricultural applications, food processing industries, poultry barns and other harsh environments.

Project	
Type	
Date	
Notes	

SPECIFICATIONS

Construction

Polycarbonate UV stabilized housing with opal lens. The lens attaches to the fixture using 6 polycarbonate clips on either side. The LFX4-LED60 is ideal for mounting heights between 8' - 10' creating a wide even light distribution because of its rounded opal lens. Stainless steel clips are available as an option.

Lens

Fixture has a high grade polycarbonate lens that is UV stabilized.

LED information

The fixture contains a high efficiency LED strip that delivers a total output of 8,002 lumens at an efficacy of 130 lumens/watt. LEDs have a color temperature of 4000K as standard, 5000K available as an option.

Finish

Grey Polycarbonate Finish

Electrical

Total system wattage of the unit is 62W. The standard unit has a high efficiency driver that operates at 120 - 277V.

Mounting

Fixture comes with 2 stainless steel mounting brackets that facilitate quick and easy mounting direct on the wall or ceiling. Additional mounting options include suspended chain mount.

There are 4 conduit entries on the bottom and one conduit entry on either side.

Options

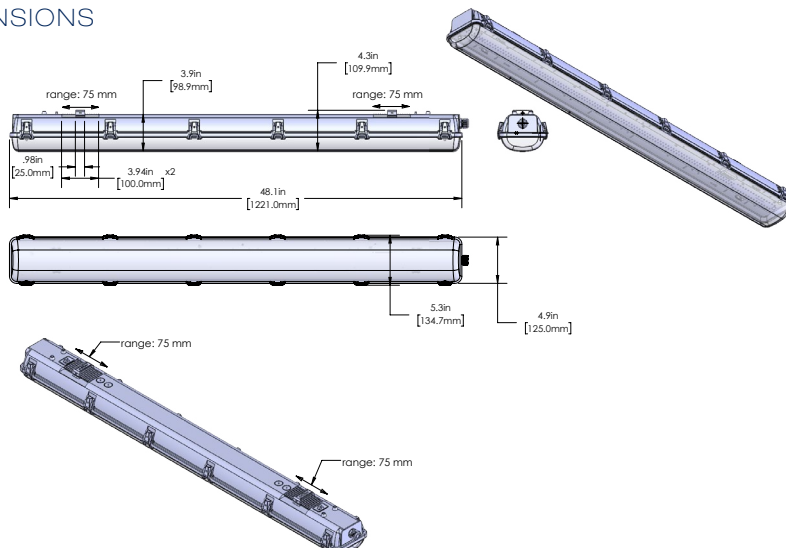
- Integrated High Frequency Sensor
- Stainless steel locking clips
- 0 - 10V dimming
- NSF Rating
- Battery backup
- NEMA 4X

Watts	62W
Equivalent to	> 3 lamp T5 fluorescent fixture
Lumens	8,002
Efficacy	130 lumens per watt

Operating Temperature	-40°C to +40°C
Certification	cULus, IP66, DLC
LED Life	100,000 hours
Color Temperature	4000K (standard) 5000K (option)

Warranty	5 years
CRI	>80
Power Factor	0.99
Total Harmonic Distortion	14.85%

DIMENSIONS



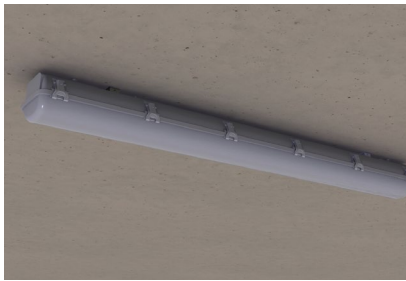
NOTE: Not for use in car wash facilities.



EASY INSTALLATION



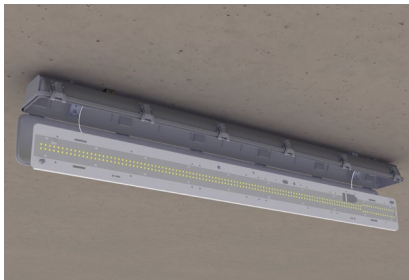
1. Mount stainless steel clips on the surface



2. Mount fixture onto clips



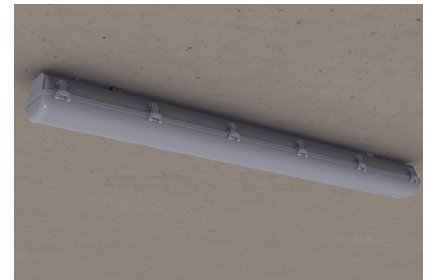
3. Open up the lens by unhooking polycarbonate clips on one side



4. Remove LED tray using the pull tabs on either side of the fixture
5. Both tray and lens hang while tethered to the fixture using a clip and lock system.
6. Connect wires using quick connects



7. Reattach the tray to the fixture



8. Reattach the lens to the fixture

ORDERING GUIDE

LFX4	-	LED60	-		-		-	
		VOLTAGE		COLOR TEMP		FINISH		OPTIONS
		B - 120 - 277V*		4K - 4000K* 5K - 5000K		GRY - GREY*		DIM - 0 - 10V dimming* DHFS - Dimming High frequency motion sensor FS - NSF Rating (with Stainless Steel Clips) N4X - NEMA 4X (with NEMA 4X lens) BBK - Battery backup