

The HLS-LED-2H twin head work-lite replaces the traditional two headed quartz work-lite. The heads are adjustable for precise aiming.



APPLICATIONS

Ideal for various indoor workspaces.

Project	
Type	
Date	
Notes	

SPECIFICATIONS

Construction

Heavy duty aluminum tubular frame with tripod stand. Frame and legs are made from extruded aluminum painted yellow. The center pole extends up to 67" high. Handle is made of durable rubber. The HLS-LED features two adjustable heads for precise aiming. LED head has a clear polycarbonate lens with an aluminum housing painted black.

LED configuration

36 LED chips with built in wide beam optics. LEDs have a colour temperature of 4000K and an operating temperature range of -40°C to +40°C.

Electrical

Total system wattage of the unit is 30W X2. The standard unit has a high efficiency driver that operates at 120V.

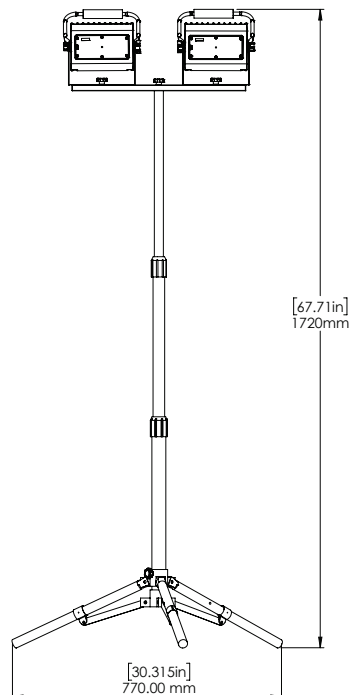
Finish

Yellow

Equivalent to	1,000W Quartz
Watts	30W X 2
Lumens	3,000 X2
Efficacy	100 lumens/watt

LED Life	100,000 hours
Color Temperature	4000K
Warranty	5 Years
Operating Temperature	-40° C to +40° C
Certification	cULus

DIMENSIONS



Adjustable heads for precise aiming



ORDERING GUIDE

HLS	-	LED60	-		-		-	
				VOLTAGE		COLOR TEMP		FINISH
				A - 120*		4K - 4000K*		YLW- YELLOW*

* Standard configuration