



The highbay LED provides well distributed, uniform lighting and is ideal for manufacturing, warehouses, and other large indoor spaces. It is an ideal one-for-one replacement for conventional lighting systems such as HID and fluorescent.

APPLICATIONS

Ideal for manufacturing, warehouses and other large indoor spaces with mounting heights from 10'-40'.

Project	
Type	
Date	
Notes	

SPECIFICATIONS

Construction

Housing is made from aluminum and steel. An aluminum heat sink allows fixture to perform at warm temperatures. A simple disconnect plug allows for easy installation.

Electrical

The standard fixture has a high efficiency LED driver that operates at 120-277V. Dimming is standard. 10KV surge suppression is standard.

Optics

Leds have a color temperature of 4,000K. 5,000K is available as an option. The CRI is greater than 80 and the operating temperature range is -30°C to +55°C.

Lens

Standard fixture comes without lens. Clear and frosted lenses are available as options.

Finish

Standard finish is white.

Options

- Battery back up
- Dimmable motion sensor
- Wireguard
- Clear lens
- Frosted lens
- Ceiling mount brackets

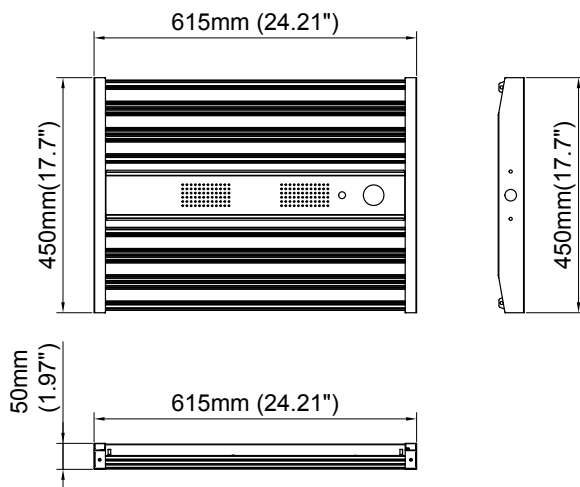
Mounting

Suspended mount with suspending chain. Six foot chain is included with the fixture. Optional ceiling mount bracket allows for surface mounting (order separately).

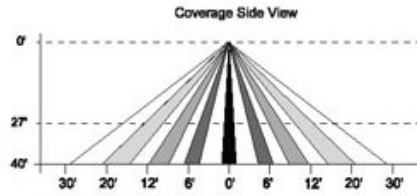
Watts	160W
Lumens	27,120
Efficacy	169

Certification	cULus, DLC
Operating Temp.	-30°C to +55°C
Color Temp.	4,000K (standard) 5,000K (option)
LED Life	100,000 hours
Warranty	5 years
Power Factor	0.99
Total Harmonic Distortion	7.79%
CRI	>80

DIMENSIONS



OPTIONAL PASSIVE INFARED SENSOR



- 0 – 10VDC dimming control
- Multi level dimming from 10%-30%
- Time delay can be set from 5 – 30 minutes
- 360° Range - 40 ft high x 30 ft across

Sensor Default Setting

The sensor has the following default setting:

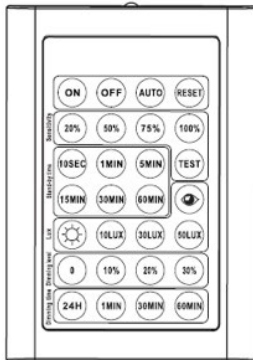
- Sensitivity – 100%
- Standby Time – 5 minutes
- Daylight setting – ☀
- Dimming level – 20%
- Dimming time – 60 mins

Where:

1. Sensitivity is the responsiveness to detect movement.
2. Standby time denotes how long the lights remain at 100% lux levels once the sensor is activated
3. Daylight sensor setting sets the natural light levels needed for the sensor to shut off the fixture. The default setting deactivates the daylight sensor completely.
4. Dimming level indicates the level at which light drops after no motion has been detected during the standby time.
5. Dimming time is how long the light will remain at the low dim level on without activity before it turns off

Sensor is fully adjustable. For custom settings, order Sensor Remote separately.

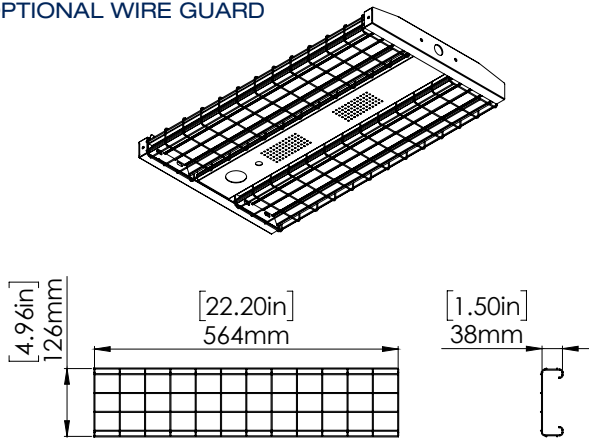
Programming



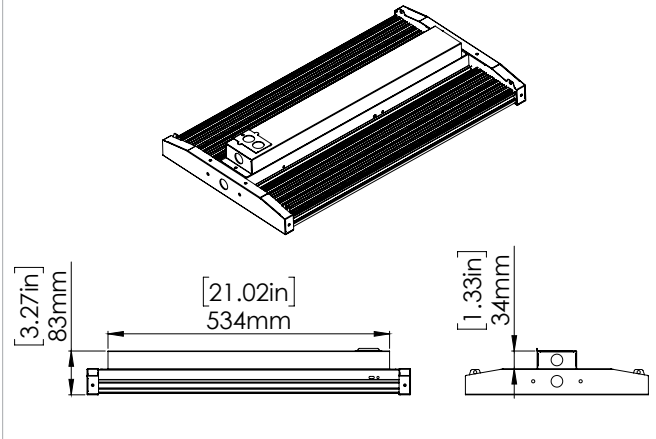
	The light either permanently turns ON / OFF. Sensor is disabled.		Long press for 3-4s for the sensor to go into test mode which allows the user to test the motion sensor sensitivity in the daylight by disabling the dimming time period and lux level.
	Turns the fixture ON with the last saved settings.		Pressing this button will reset the light to default setting. 1. 100% Sensor sensitivity 2. 5 min stand-by time 3. Lux level at daylight threshold 4. 20% dimming level 5. 60 min dimming period
	Set the sensitivity and range of the motion sensor.		Set the hold – time. When sensor detects motion, the light stays on at the maximum light level for the hold-time period chosen.
	When pressed, sensor will measure the Lux level of the surrounding area and save it. The light will adjust its dimming level based on the changes occurring with the surrounding ambient light		Set the Lux level for the light to operate. The light will turn on after the surrounding light level is less than the light level set on the sensor except the daylight option which disables the Lux settings.
	Set the Stand-by dimming level.		Set the dimming time period. (If set at 24H, the light stays ON). When sensor detects no motion it will stay ON at the dimming level set, for the chosen time.

ACCESSORIES (ORDER SEPARATELY)

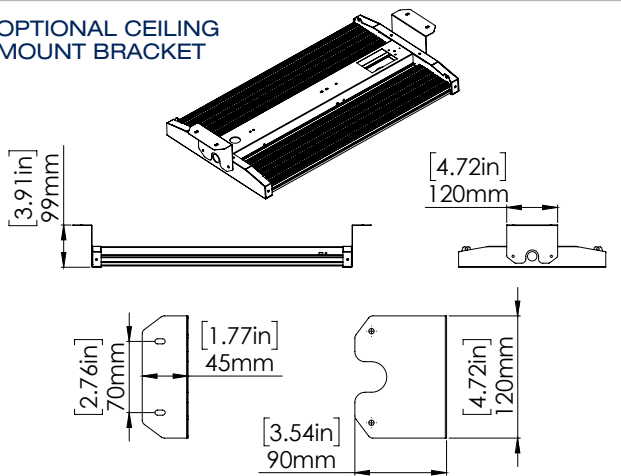
OPTIONAL WIRE GUARD



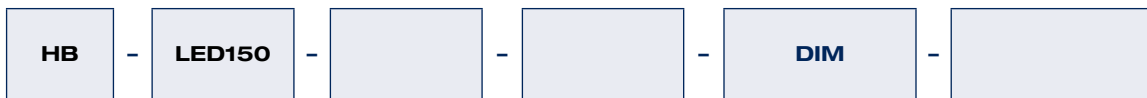
OPTIONAL BATTERY BACKUP



OPTIONAL CEILING MOUNT BRACKET



ORDERING GUIDE



VOLTAGE

COLOR TEMP.

DRIVER

OPTIONS

* Standard configuration

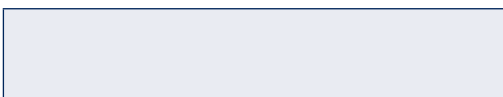
B - 120 - 277V*

4K - 4000K*
5K - 5000K

DIM - 0-10V
Dimming*

BBK - Battery back up
DMS - Dimmable Smart Sensor

ACCESSORIES (ORDER SEPARATELY)



OPTIONS

- CL - Clear lens**
- FL - Frosted lens**
- WG - Wireguard**
- CM - Ceiling mount brackets**