



GWL5-LED100

LED Wall Light



SPECIFICATIONS*

Watts	98
Lumens	11780
Efficacy	121
Replaces Up To	250W HPS
Color Temp	5000K*
Certification	cULus, IP65, DLC
Operating Temp	-40°C to +40°C
Voltage	120-277V*, 480
LED Life	100,000 Hours
Housing Material	Cast Aluminum
Beam Distribution	T2*, T3, T4
Lens Material	Polycarbonate
Finish	Bronze
Total Harmonic Distortion	14.41%
Power Factor	>0.95
Mounting Options	Wall Mounted

Weight

*Standard



DESCRIPTION

The GWL-LED fixtures are compact in design, have an easy installation feature and a high efficacy of over 100 lumens per watt. The GWL5-LED100 is an easy to install, full cut-off wall pack available in T2, T3 or T4 beam distributions

APPLICATIONS



Entrances
and Exits



Offices



Condos

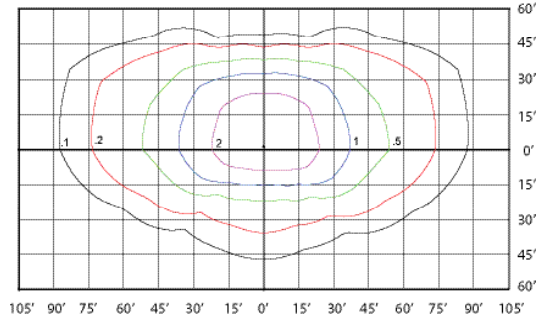
FEATURES

- Fixture is designed to hook and secure itself on top of the housing so installer can use both hands to connect wires easily.
- The backbox has a built-in level bubble to facilitate mounting alignment
- Die cast aluminum housing with stainless steel hardware
- The fixture can be surface mounted onto a junction box or directly mounted on the wall

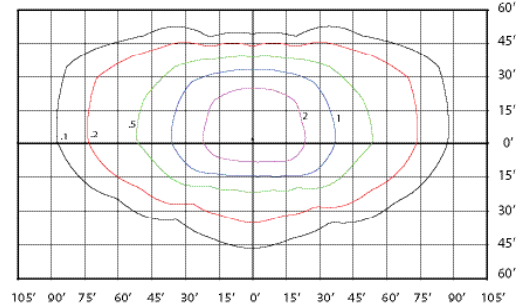
*The above specs apply to the standard product configuration. For spec information on other product configurations please see page 2.

CANDELA PLOTS

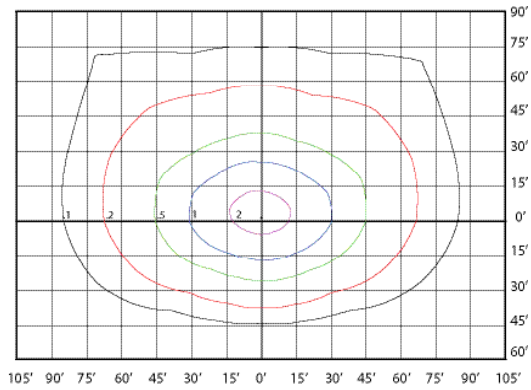
GWL5-LED100-B-4K
MOUNTED AT 24 FEET



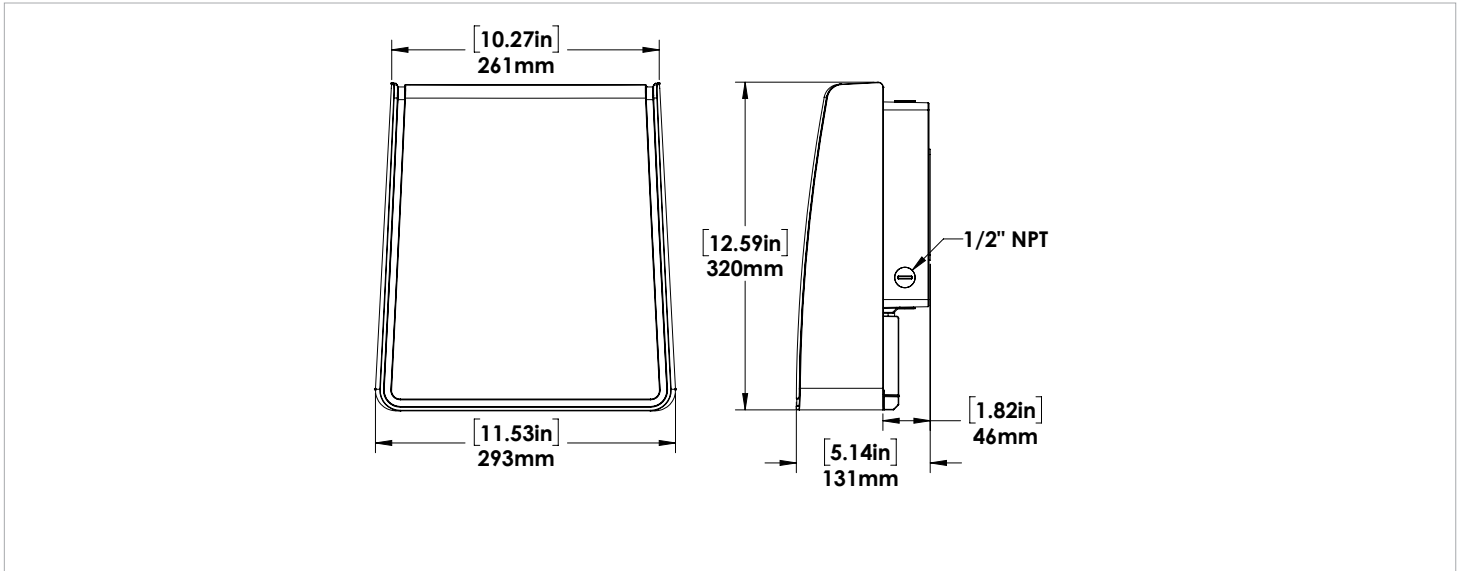
GWL5-LED100-B-4K TYPE III
MOUNTED AT 24 FEET



GWL5-LED100-B-4K TYPE IV
MOUNTED AT 24 FEET



DIMENSIONS



EASY INSTALLATION



Open fixture, mount back box to junction box



Hook fixture on top of the housing and easily connect wires using both hands



Unhook fixture from housing, flip over and reattach fixture to housing



Push fixture against housing and tighten screw(s) below lens

OTHER MODEL SPECIFICATIONS

MODEL DESCRIPTION	VOLTAGE (V)	INPUT POWER (W)	LIGHT OUTPUT	EFFICACY (Lm/W)	THD	PF	CCT(K)	CRI
GWL5-LED100-B-5K-XXX	120-277	95.84	10007	104.41	14.21	0.9484	5000	83.1
GWL5-LED100-L-5K-XXX	480V	103.9	10304	99.17	21.48	0.9555	5000	83.2
GWL5-LED100-B-5K-T3-XXX	120-277	97.62	11780	120.67	14.41	0.9492	5000	70.4
GWL5-LED100-L-5K-T3-XXX	480V	105.7	11764	111.3	21.72	0.9561	5000	71
GWL5-LED100-B-5K-T4-XXX	120-277	97.54	11366	116.53	14.43	0.9489	5000	70.3
GWL5-LED100-L-5K-T4-XXX	480V	105.7	11037	104.42	21.49	0.9586	5000	71.1

LEGEND

B - 120V-277V, L-480V

5K - 5000K

XXX - HOUSING FINISH

ORDERING GUIDE

GWL5	LED100				
WATTS	VOLTAGE	COLOR TEMP.	FINISH	BEAM PATTERN	
	B - 120 - 277V*	5K - 5000K*	BRZ - BRONZE*	BLANK - T2*	
	L - 480V			T3 - TYPE 3	
				T4 - TYPE 4	