

LED wall light that is compact in design, has an easy installation feature and efficiency of over 100 lumens/watt.



### APPLICATIONS

**Ideal for building entrances and exits, offices, condominiums, and schools.**

<b>Project</b>	
<b>Type</b>	
<b>Date</b>	
<b>Notes</b>	

### SPECIFICATIONS

#### Construction

Die cast aluminum housing and backbox with stainless steel hardware. Fixture has a vandal-proof clear, polycarbonate lens. There are 3 conduit entries, one in the back and one on each side.

#### Mounting

The fixture can be wall mounted onto a junction box or directly on the wall.

#### LED Configuration

The GWL1-LED15 has a color temperature of 5000K and delivers 1674 lumens at an efficiency of 110 lumens/watt. The fixture has a custom designed reflector for downward wide beam dispersion.

#### Electrical

Total system wattage of the unit is 15W. The standard unit has a high efficiency driver that operates at 120 - 277V.

#### Easy Installation

The unit is designed to hook and secure itself on top of the housing so installer can use both hands to connect wires easily. The backbox has a built-in level bubble to facilitate mounting alignment.

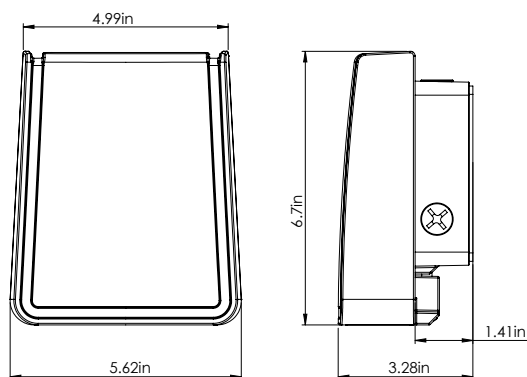
#### Finish

Available in a Bronze finish.

<b>Fixture Watts</b>	<b>15W</b>
<b>Lumens</b>	<b>1674</b>
<b>Efficacy</b>	<b>110 lumens/watt</b>
<b>Equivalent to</b>	<b>up to 70W MH</b>

<b># of conduit entries</b>	<b>3</b>
<b>Voltage</b>	<b>120-277V</b>
<b>Color Temp</b>	<b>5000K</b>
<b>LED Life</b>	<b>100,000 hours</b>
<b>Warranty</b>	<b>5 Years</b>
<b>Working Temp</b>	<b>-40°C to +40°C</b>
<b>Certification</b>	<b>cULus, IP65, DLC*</b>
<b>Power Factor</b>	<b>0.91</b>
<b>Total Harmonic Distortion</b>	<b>13.6%</b>
<b>CRI</b>	<b>13.6%</b>

### DIMENSIONS



\*Not all versions of this product may be DLC Premium qualified or DLC qualified. Please check the DLC Qualified Products List at [www.designlights.org/QPL](http://www.designlights.org/QPL) to confirm which versions are qualified.



INSTALLATION INFORMATION

1. Open fixture, mount back box to junction box



2. Hook fixture on top of the housing and easily connect wires using both hands



3. Unhook fixture from housing, flip over and reattach fixture to housing



4. Push fixture against housing and tighten screw(s) below lens



ORDERING GUIDE

<b>GWL1</b>	-	<b>LED15</b>	-		-		-	
				<b>VOLTAGE</b>		<b>COLOR TEMP</b>		<b>FINISH</b>
				<b>B - 120 - 277V*</b>		<b>5K - 5000K*</b>		<b>BRZ - BRONZE*</b>

\* Standard configuration