



FL8A-LED300

LED Flood Light



SPECIFICATIONS*

Watts	293.40
Lumens	40718
Efficacy	138.78
Replaces Up To	750W HPS
Color Temp	4K, 5K
Certification	cULus, IP65, DLC
Operating Temp	-40°C to +40°C
Voltage	120-277*, 480
LED Life	100,000 hours
Housing Material	Aluminum
Lens Material	Polycarbonate
Beam Pattern	T2 - TYPE 2/7HX6V, T3 - TYPE 3/7HX7V, T4 - TYPE 4/7HX7V, T5 - ELONGATED TYPE 5/7HX6V*
Total Harmonic Distortion	11.64
Power Factor	0.937

Mounting Options Yoke, Slipfit, wall mount, round and square pole mount options

*Standard



DESCRIPTION

The FLA-LED fixtures are high efficacy DLC Premium floods/area lights at an approx efficacy of 140 lumens/watt. These fixtures have a universal mounting system that allows you to order the fixture separately with your choice of mounting system.

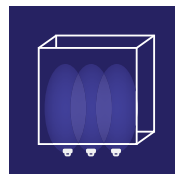
APPLICATIONS



Building
Facades



Parking
Lots



Wall Wash
Applications

FEATURES

- Rugged in construction - die cast aluminum housing, polycarbonate lens, IP65 rated for outdoors.
- T2 - Type 2/7HX6V, T3 - Type 3/7HX7V, T4 - Type 4/7HX7V, T5 - Elongated Type 5/7HX6V* beam distributions available.
- 0-10V dimming driver is standard.

*The above specs apply to the standard product configuration. For spec information on other product configurations please see page 2.

NOTE: Not all of our product configurations are qualified on the DLC QPL. To view all of our DLC qualified products please visit the DLC qualified products list at www.designlights.org/qpl.

OTHER MODEL SPECIFICATIONS

MODEL DESCRIPTION	VOLTAGE (V)	INPUT POWER (W)	LIGHT OUTPUT	EFFICACY (Lm/W)	THD	PF	BUG RATING
FL8A-LED300-B-4K-T5-XXX-DIM	120-277V	293.40	40718	138.78	15	0.9	B5-U0-G3
FL8A-LED300-B-4K-T2-XXX-DIM	120-277V	293.40	41636	141.91	15	0.9	B5-U0-G5
FL8A-LED300-B-4K-T3-XXX-DIM	120-277V	293.40	40718	138.78	15	0.9	B4-U0-G5
FL8A-LED300-B-4K-T4-XXX-DIM	120-277V	293.40	38780	132.17	17.67	0.927	B4-U0-G4
FL8A-LED300-B-5K-T5-XXX-DIM	120-277V	293.40	40718	138.78	15	0.9	B5-U0-G3
FL8A-LED300-B-5K-T2-XXX-DIM	120-277V	293.40	42325	144.26	15	0.9	B5-U0-G5
FL8A-LED300-B-5K-T3-XXX-DIM	120-277V	293.40	40718	138.78	15	0.9	B4-U0-G5
FL8A-LED300-B-5K-T4-XXX-DIM	120-277V	293.40	38780	132.17	15	0.9	B4-U0-G4
FL8A-LED300-L-4K-T5-XXX-DIM	480V	301.50	41902	138.98	15	0.9	B5-U0-G3
FL8A-LED300-L-4K-T2-XXX-DIM	480V	301.50	42080	139.57	15	0.9	B5-U0-G5
FL8A-LED300-L-4K-T3-XXX-DIM	480V	301.50	41902	138.98	15	0.9	B4-U0-G5
FL8A-LED300-L-4K-T4-XXX-DIM	480V	301.50	39907	132.36	9.03	0.964	B4-U0-G4
FL8A-LED300-L-5K-T5-XXX-DIM	480V	301.50	41902	138.98	15	0.9	B5-U0-G3
FL8A-LED300-L-5K-T2-XXX-DIM	480V	301.50	43493	144.26	15	0.9	B5-U0-G5
FL8A-LED300-L-5K-T3-XXX-DIM	480V	301.50	41902	138.98	15	0.9	B4-U0-G5
FL8A-LED300-L-5K-T4-XXX-DIM	480V	301.50	39907	132.36	15	0.9	B4-U0-G4

LEGEND

B - 120V-277V, L - 480V

4K - 4000K, 5K - 5000K

T2 - TYPE 2/7HX6V, T3 - TYPE 3/7HX7V, T4 - TYPE 4/7HX7V, T5 - ELONGATED TYPE 5/7HX6V*

XXX - HOUSING FINISH

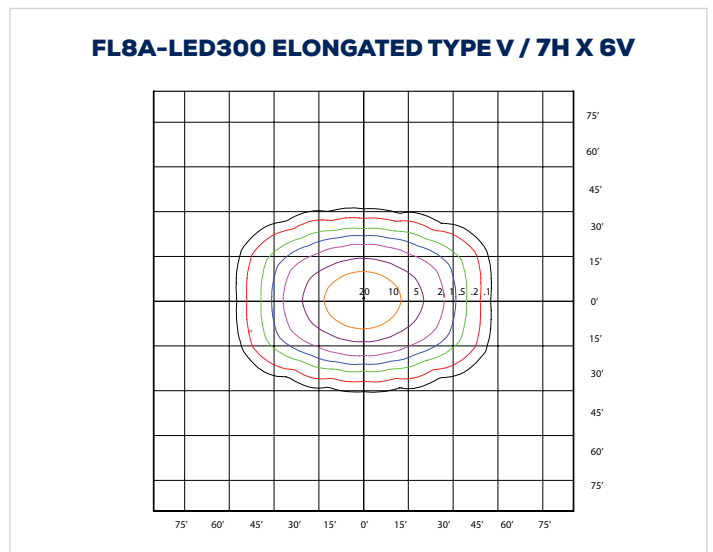
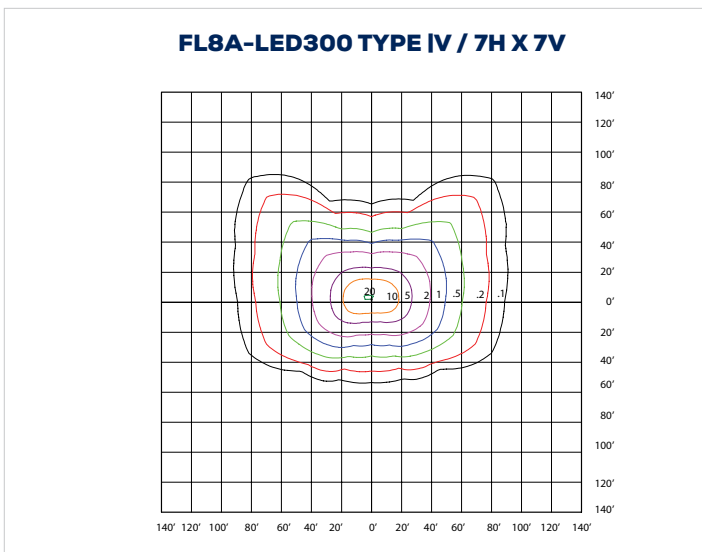
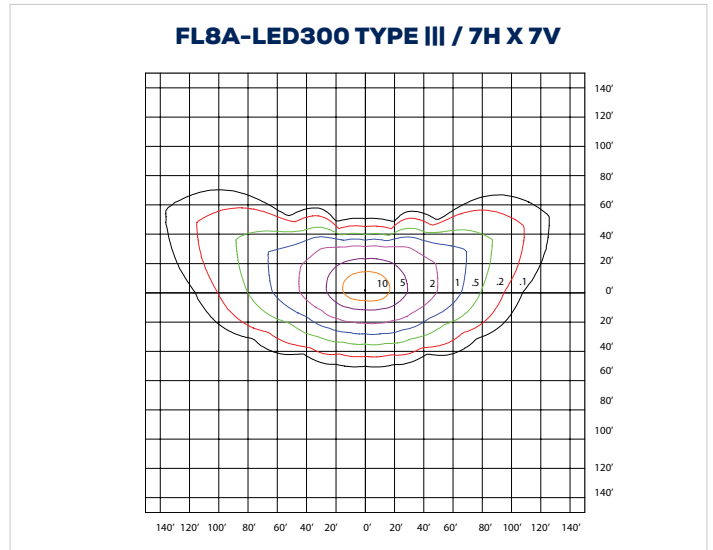
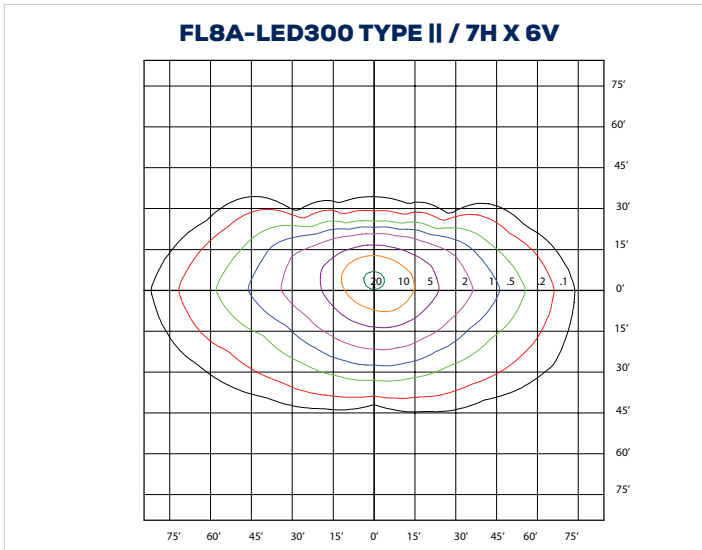
DIM - DIMMABLE

MOUNTING OPTIONS

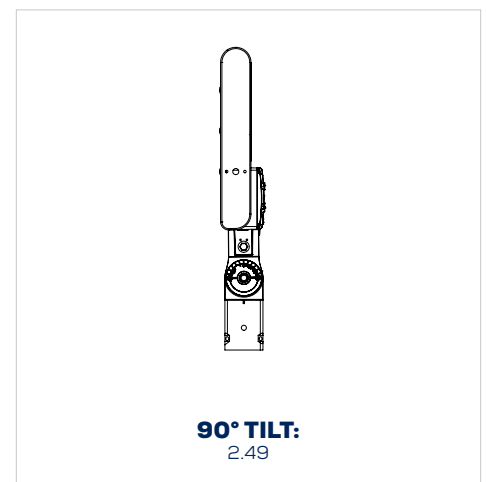
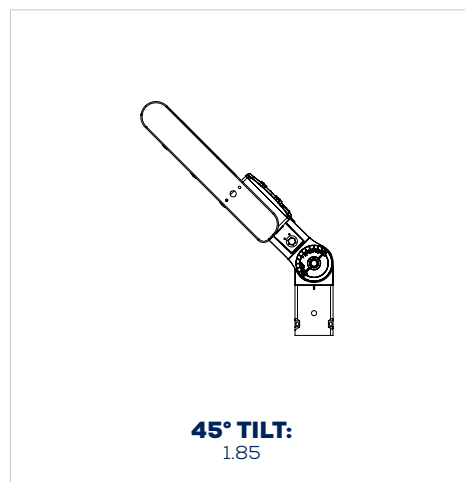
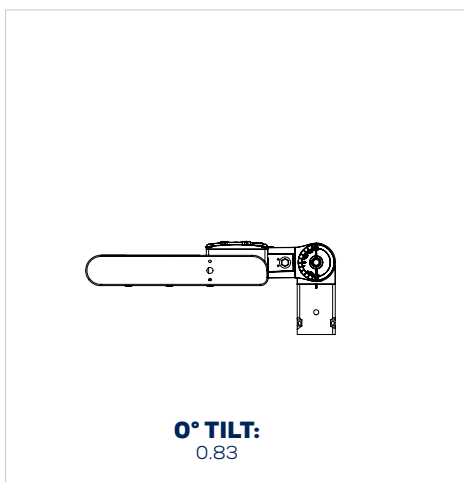


**To mount fixture on a round pole, purchase the arm for the square pole/wall mount along with the round pole mount adaptor kit. Round pole adaptor kit works with 4", 5", and 6" diameter poles.

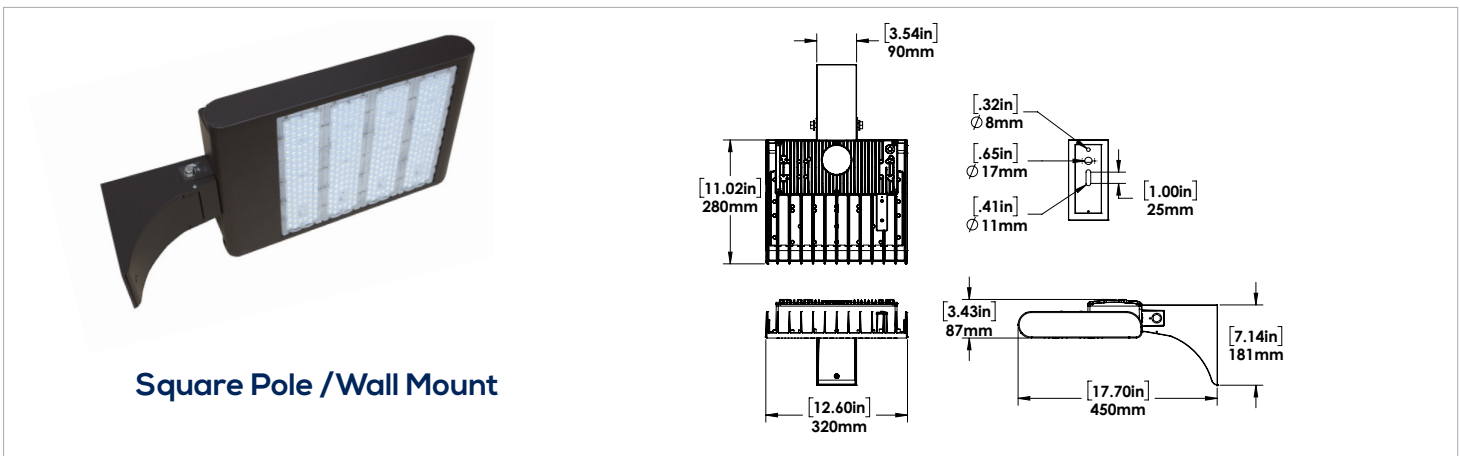
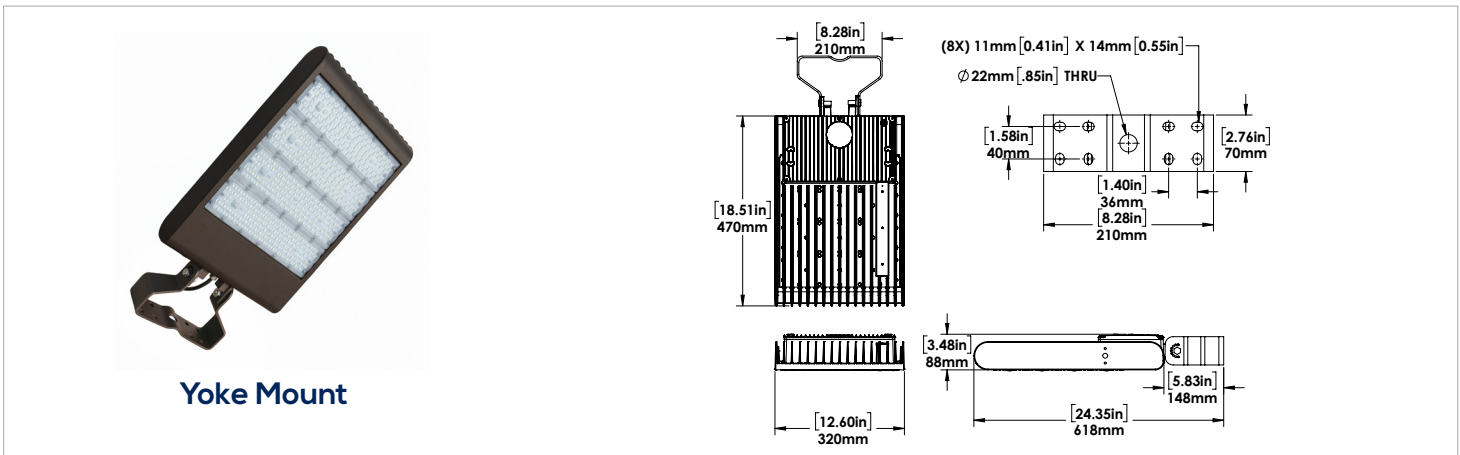
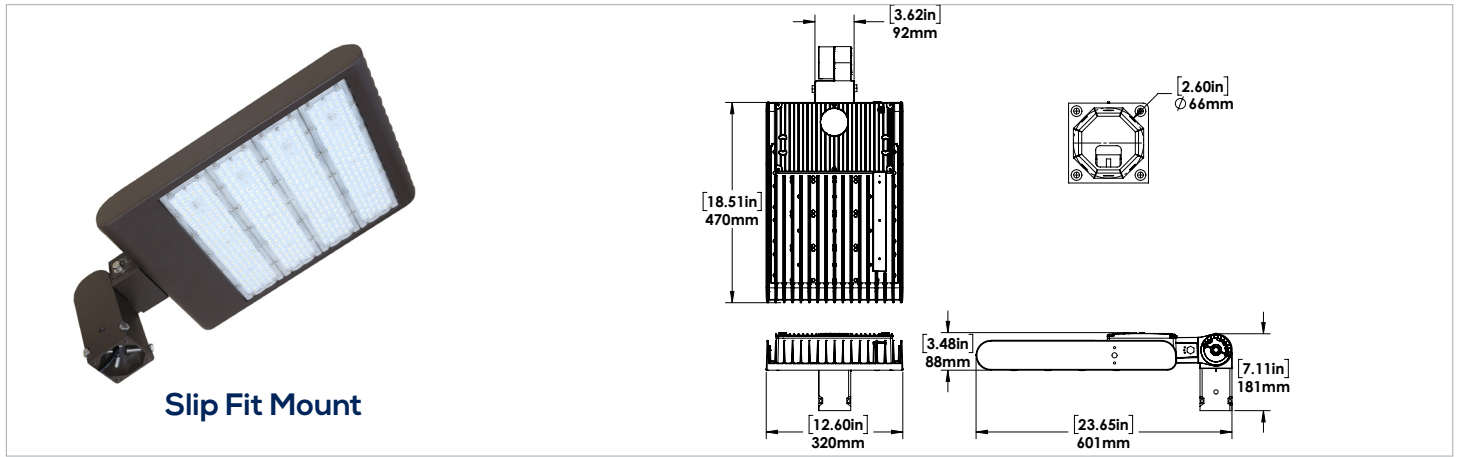
CANDELA PLOTS



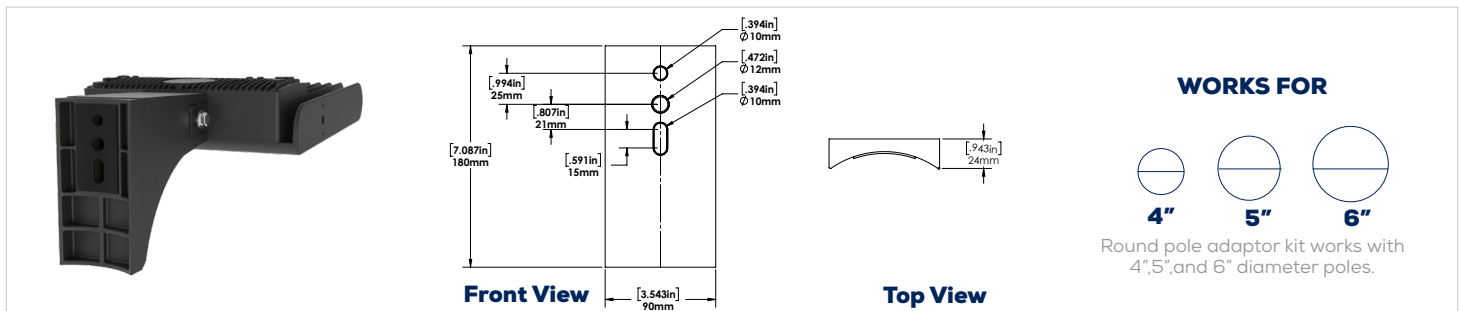
EPA RATING



DIMENSIONS



ROUND POLE ADAPTOR KIT
(order with Square pole/wall mount)**



**To mount fixture on a round pole, purchase the arm for the square pole/wall mount along with the round pole mount adaptor kit.

ORDERING GUIDE -Fill out steps 1 and 2 to complete your order.

1 STEP 1 - FILL OUT BASE FIXTURE ORDER

FL8A **LED300**

WATTS	VOLTAGE	COLOR TEMP.	BEAM	FINISH	DRIVER	OPTIONS
	B - 120 - 277V*	5K - 5000K	T2 - TYPE 2 / 7HX6V	BRZ - BRONZE*	DIM - DIMMABLE DRIVER*	PC-PHOTOCELL
	L - 480V	4K - 4000K	T3 - TYPE 3 / 7HX7V	CC - CUSTOM		
			T4 - TYPE 4 / 7HX7V			
			T5 - ELONGATED TYPE 5 / 7HX6V*			

2 STEP 2 - CHOOSE YOUR MOUNTING SYSTEM

MOUNTING SYSTEM - FIELD INSTALLED

CHECK THE MOUNTING SYSTEM YOU WISH TO ORDER:

- Yoke
- Slip fit for 2 3/8" tenon
- Arm for square pole/wall mount
- Round pole adaptor kit for 4", 5", 6" diameter poles**

****To mount fixture on a round pole, purchase the arm for the square pole/wall mount along with the round pole mount adaptor kit.**