



The FL8-LED300 is an energy efficient LED floodlight that replaces a 1000W Metal Halide fixture. The fixture is available as a slip fit and yoke mount

APPLICATIONS

Ideal for floodlighting/area lighting in industrial applications.

Project	
Type	
Date	
Notes	

SPECIFICATIONS

Construction

Die cast aluminum housing with polycarbonate lens. The fixture has air flow fins at the back for heat dissipation. The FL8- LED300 is suitable for outdoor locations and is rated IP65

LED configuration

Fixture has built in wide beam optics ideal for area lighting applications. LEDs have a color temperature of 4000K or 5000K and a CRI of greater than 80.

Electrical

Total system wattage of the unit is 305W. The standard unit has a high efficiency driver that operates at 120-277V standard. 480V is also available as an option. Fixture has a Power factor of 0.95.

Mounting

The fixture is available as a yoke mount or a 2 3/8" slip fit mount. .

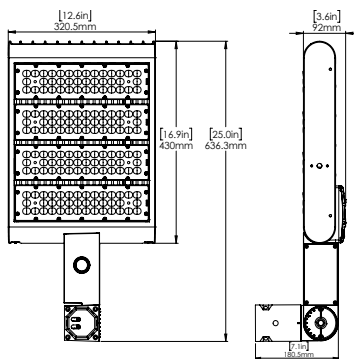
Finish

Standard finish is Bronze.

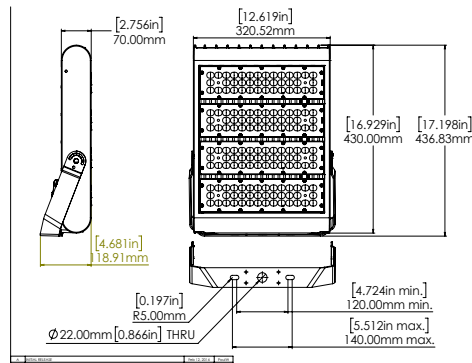
Watts	305W
Voltage	120-277V (standard) 480V (option)
Lumens	30,857
Efficacy	101 lumens per watt

Operating Temperature	-40°C to +40°C
Certification	cULus, IP65, DLC
LED Life	100,000 hours
Color Temperature	4,000K / 5,000K
Warranty	5 years
Weight	25lbs
Power Factor	0.95
Total Harmonic Distortion	7.88%
CRI	>80

DIMENSIONS



SLIP FIT MOUNT



YOKE MOUNT



ORDERING GUIDE

FL8	-	LED300	-		-	4K	-	BRZ	-	
		VOLTAGE		COLOR TEMP		FINISH		MOUNTING		
		B - 120-277V* L-480V		4K - 4000K* 5K - 5000K*		BRZ - BRONZE*		SF-SLIP FIT YK - YOKE		

* Standard configuration