

The FL8-LED300 is an energy efficient LED floodlight that replaces a 1000W Metal Halide fixture. The fixture is available as a slip fit and yoke mount



### APPLICATIONS

**Ideal for floodlighting/area lighting in industrial applications.**

<b>Project</b>	
<b>Type</b>	
<b>Date</b>	
<b>Notes</b>	

### SPECIFICATIONS

#### Construction

Die cast aluminum housing with polycarbonate lens. The fixture has air flow fins at the back for heat dissipation. The FL8- LED300 is suitable for outdoor locations and is rated IP65

#### LED configuration

Fixture has built in wide beam optics ideal for area lighting applications. LEDs have a color temperature of 4000K and a CRI of greater than 80.

#### Electrical

Total system wattage of the unit is 305W. The standard unit has a high efficiency driver that operates at 120 - 277V. Fixture has a Power factor of 0.95.

#### Mounting

The fixture is available as a yoke mount or a 2 3/8" slip fit mount.

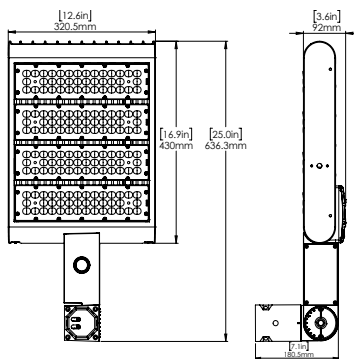
#### Finish

Standard finish is Bronze.

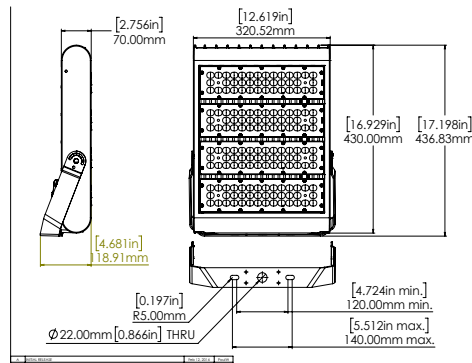
<b>Watts</b>	<b>305W</b>
<b>Voltage</b>	<b>120-277V (standard)</b>
<b>Lumens</b>	<b>30,857</b>
<b>Efficacy</b>	<b>101 lumens per watt</b>

<b>Operating Temperature</b>	<b>-40°C to +40°C</b>
<b>Certification</b>	<b>cULus, IP65, DLC</b>
<b>LED Life</b>	<b>100,000 hours</b>
<b>Color Temperature</b>	<b>4,000K</b>
<b>Warranty</b>	<b>5 years</b>
<b>Weight</b>	<b>25lbs</b>
<b>Power Factor</b>	<b>0.95</b>
<b>Total Harmonic Distortion</b>	<b>7.88%</b>
<b>CRI</b>	<b>&gt;80</b>

### DIMENSIONS



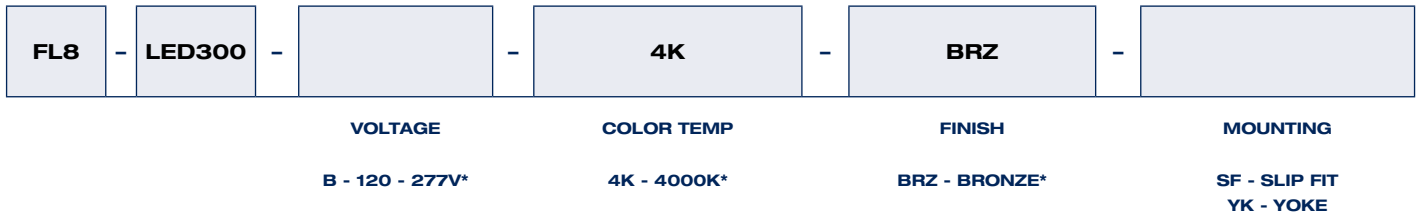
SLIP FIT MOUNT



YOKE MOUNT



ORDERING GUIDE



\* Standard configuration