



FL5A-LED80

LED Flood Light



SPECIFICATIONS*

| | |
|---------------------------|---|
| Watts | 78 |
| Lumens | 10,931 |
| Efficacy | 141 |
| Replaces Up To | 250W MH |
| Color Temp | 4000K*, 5000K |
| Certification | cULus, DLC |
| Operating Temp | -40°C to +40°C |
| Voltage | 120-277*, 480 |
| LED Life | 100,000 hours |
| Housing Material | Aluminum |
| Lens Material | Polycarbonate |
| Beam Pattern | T2 - TYPE 2/7HX6V, T3 - TYPE 3/7HX7V, T4 - TYPE 4/7HX7V, T5 - ELONGATED TYPE 5/7HX6V* |
| Total Harmonic Distortion | 14.22 |
| Power Factor | 0.9 |



Mounting Options Yoke, Slipfit, Wall mount, round and square pole mount

*Standard



DESCRIPTION

The FLA-LED fixtures are high efficacy DLC Premium floods/area lights at an approx efficacy of 140 lumens/watt. These fixtures have a universal mounting system that allows you to order the fixture separately with your choice of mounting system.

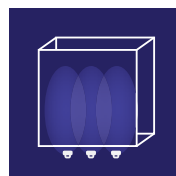
APPLICATIONS



Building
Facades



Parking
Lots



Wall Wash
Applications

FEATURES

- Rugged in construction - die cast aluminum housing, polycarbonate lens, IP65 rated for outdoors
- T2 - Type 2/7HX6V, T3 - Type 3/7HX7V, T4 - Type 4/7HX7V, T5 - Elongated Type 5/7HX6V* beam distributions available.
- 0-10V dimming driver is standard

*The above specs apply to the standard product configuration. For spec information on other product configurations please see page 2.

NOTE: Not all of our product configurations are qualified on the DLC QPL. To view all of our DLC qualified products please visit the DLC qualified products list at www.designlights.org/qpl.

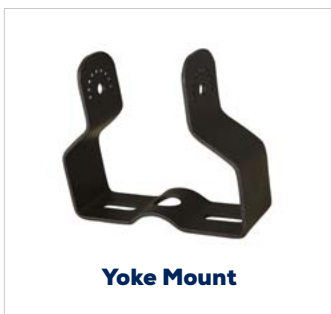
OTHER MODEL SPECIFICATIONS

| MODEL DESCRIPTION | VOLTAGE (V) | INPUT POWER (W) | LIGHT OUTPUT | EFFICACY (Lm/W) | THD | PF | CCT | CRI |
|----------------------------------|-------------|-----------------|--------------|-----------------|-------|--------|------|------|
| FL5A-LED80-B-4K-T2-XXX-DIM-XX-XX | 120-277 | 77.31 | 10744 | 138.97 | 14.35 | 0.9352 | 4000 | 82.9 |
| FL5A-LED80-B-4K-T3-XXX-DIM-XX-XX | 120-277 | 77.58 | 10805 | 139.27 | 14.44 | 0.9349 | 4000 | 82.8 |
| FL5A-LED80-B-4K-T4-XXX-DIM-XX-XX | 120-277 | 77.6 | 10777 | 138.88 | 14.31 | 0.9351 | 4000 | 82.8 |
| FL5A-LED80-B-4K-T5-XXX-DIM-XX-XX | 120-277 | 77.55 | 10931 | 140.95 | 14.22 | 0.9351 | 4000 | 82.8 |
| FL5A-LED80-B-5K-T2-XXX-DIM-XX-XX | 120-277 | 77.22 | 11209 | 145.15 | 14.19 | 0.9362 | 5000 | 82.5 |
| FL5A-LED80-B-5K-T3-XXX-DIM-XX-XX | 120-277 | 77.44 | 11253 | 145.31 | 14.16 | 0.9361 | 5000 | 82.5 |
| FL5A-LED80-B-5K-T4-XXX-DIM-XX-XX | 120-277 | 77.45 | 11183 | 144.38 | 14.01 | 0.9363 | 5000 | 82.5 |
| FL5A-LED80-B-5K-T5-XXX-DIM-XX-XX | 120-277 | 77.42 | 11360 | 146.74 | 14.38 | 0.9365 | 5000 | 82.5 |

LEGEND

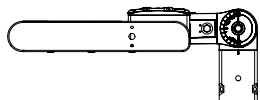
- B - 120V-277V
- 4K - 4000K, 5K - 5000K
- T2 - TYPE 2/7HX6V, T3 - TYPE 3/7HX7V, T4 - TYPE 4/7HX7V, T5 - ELONGATED TYPE 5/7HX6V*
- XXX - HOUSING FINISH
- DIM - DIMMABLE
- XX - PHOTOCELL
- XX - MOUNTING

MOUNTING OPTIONS

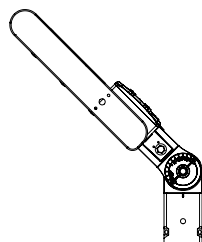


**To mount on a round pole, purchase the arm for the square pole/wall mount along with the round pole mount adaptor kit. Round pole adaptor kit works with 4", 5", and 6" diameter poles.

EPA RATING



0° TILT:
0.67

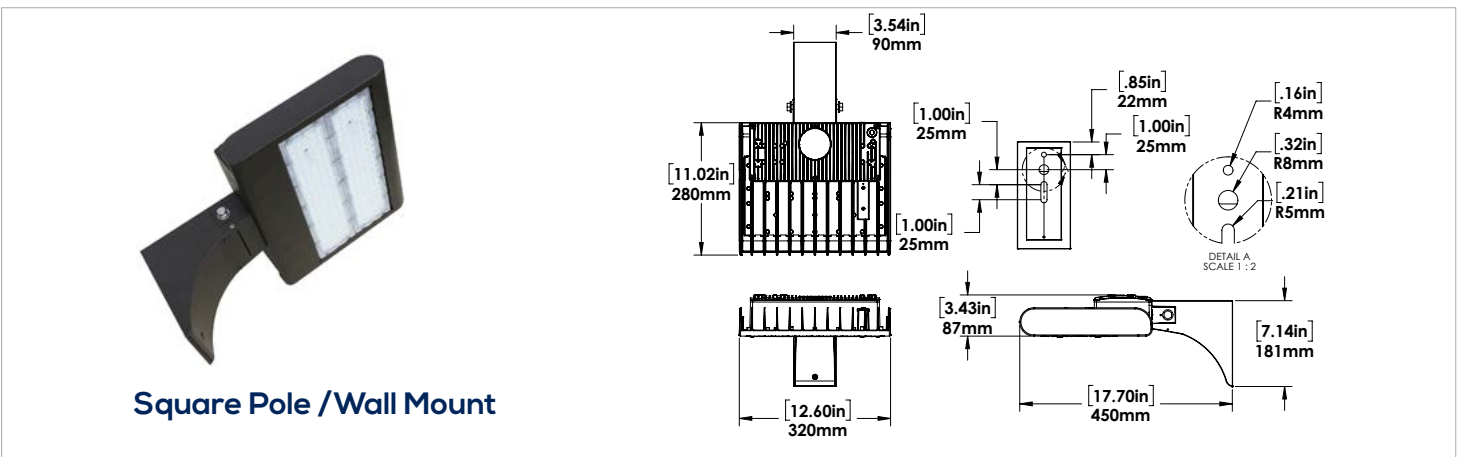
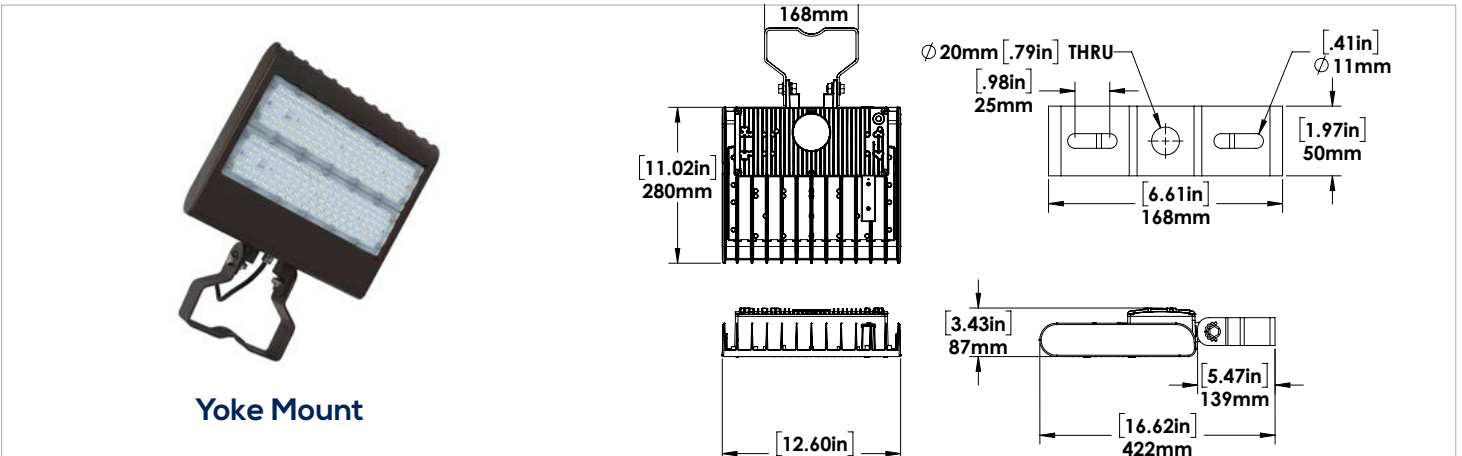
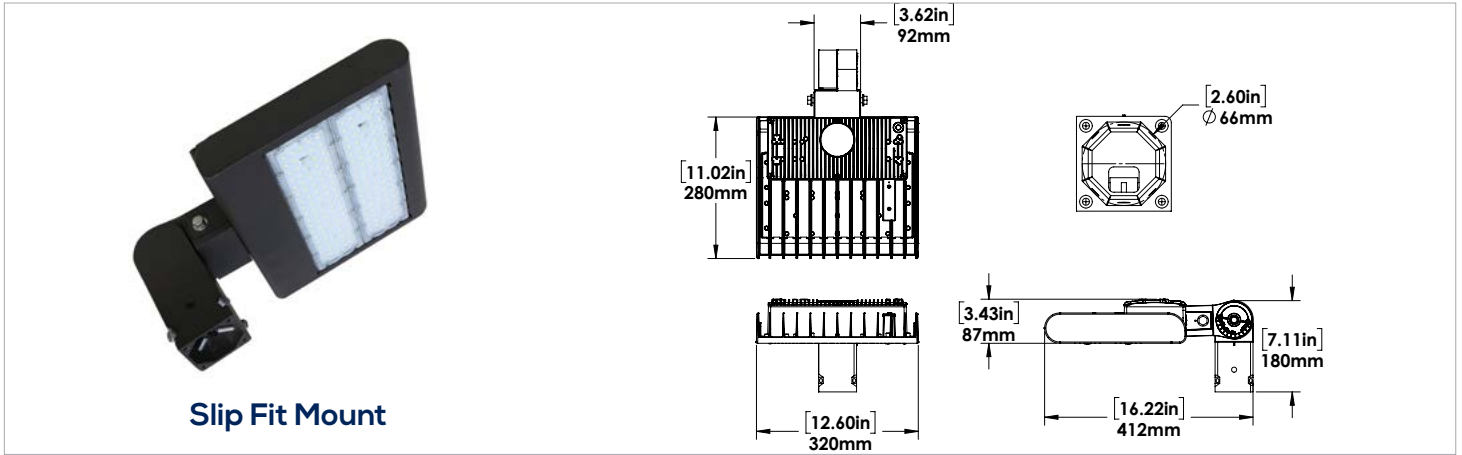


45° TILT:
1.19

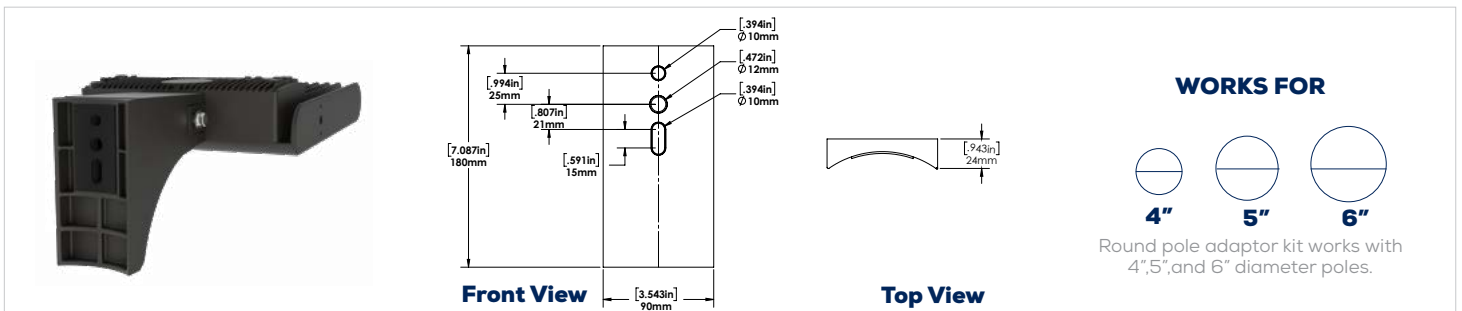


90° TILT:
1.63

DIMENSIONS



ROUND POLE ADAPTOR KIT
(order with Square pole/wall mount)**



**To mount fixture on a round pole, purchase the arm for the square pole/wall mount along with the round pole mount adaptor kit.

ORDERING GUIDE - Fill out steps 1 and 2 to complete your order.

1 STEP 1 - FILL OUT BASE FIXTURE ORDER

FL5A LED80

| WATTS | VOLTAGE | COLOR TEMP. | BEAM | FINISH | DRIVER | OPTIONS |
|-------|-----------------|-------------|--------------------------------|---------------|------------------------|----------------|
| | B - 120 - 277V* | 5K - 5000K | T2 - TYPE 2 / 7HX6V | BRZ - BRONZE* | DIM - DIMMABLE DRIVER* | PC - PHOTOCELL |
| | L-480V | 4K - 4000K* | T3 - TYPE 3 / 7HX7V | CC - CUSTOM | | |
| | | | T4 - TYPE 4 / 7HX7V | | | |
| | | | T5 - ELONGATED TYPE 5 / 7HX6V* | | | |

2 STEP 2 - CHOOSE YOUR MOUNTING SYSTEM

MOUNTING SYSTEM - FIELD INSTALLED

CHECK THE MOUNTING SYSTEM YOU WISH TO ORDER:

- Yoke
- Slip fit for 2 3/8" tenon
- Arm for square pole/wall mount
- Round pole adaptor kit for 4", 5", 6" diameter poles**

****To mount fixture on a round pole, purchase the arm for the square pole/wall mount along with the round pole mount adaptor kit.**