



FL2-LED31

LED Flood Light

SPECIFICATIONS*

Watts	30.39
Lumens	3929
Efficacy	129.29
Replaces Up To	500 W Quartz
Color Temp**	4000K*, 5000K*
Certification	cULus, IP65, DLC
Operating Temp	-40°C to +40°C
Voltage	120-277*
LED Life	100,000 hours
Housing Material	Die Cast Aluminum
Lens Material	Polycarbonate
Lens Type	Clear
Total Harmonic Distortion	17.33
Power Factor	0.928

*Standard



Yoke Mount



DESCRIPTION

The FL2-LED31 is an energy efficient LED flood that replaces a 500W Quartz fixture.

APPLICATIONS



Building
Facades



Patios & Yards



Landscape
Lighting



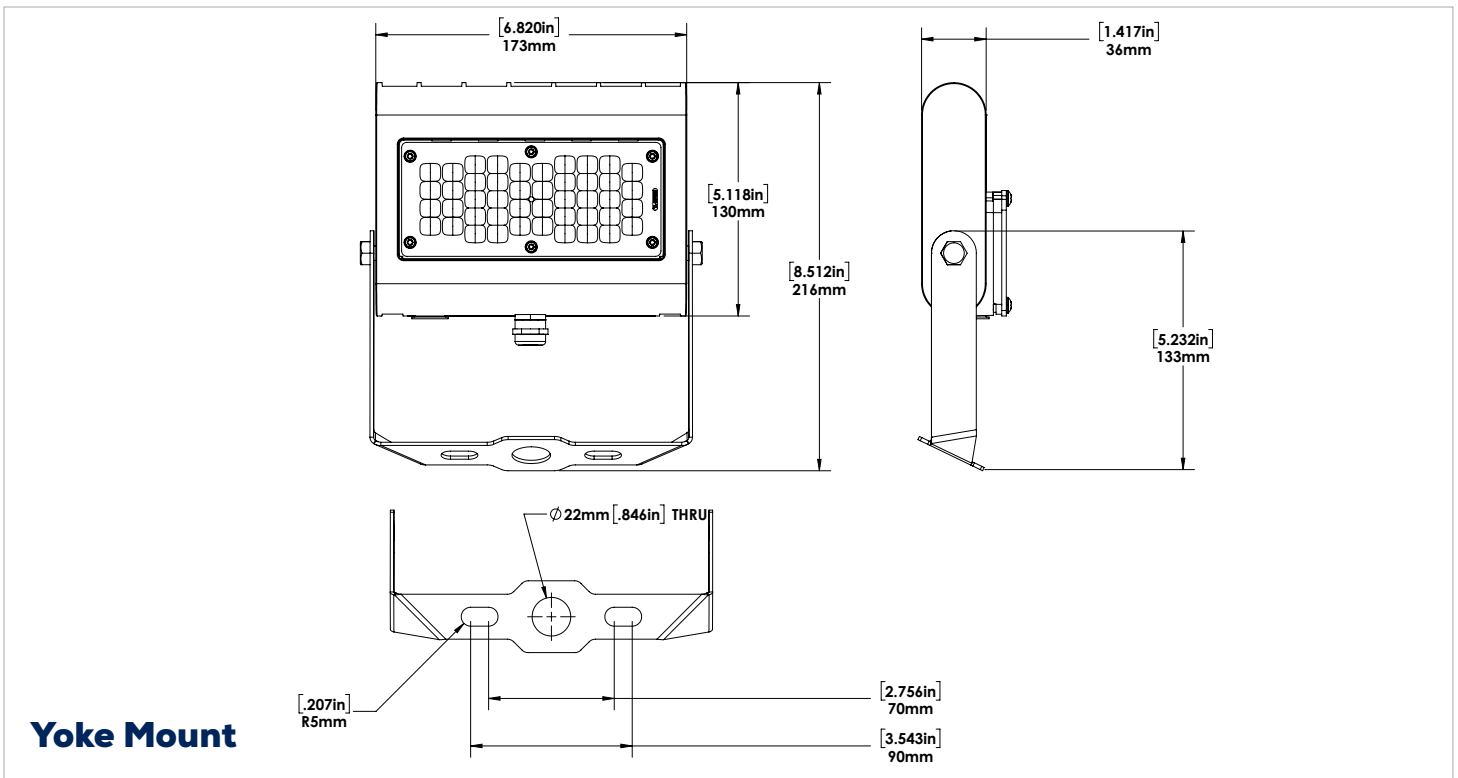
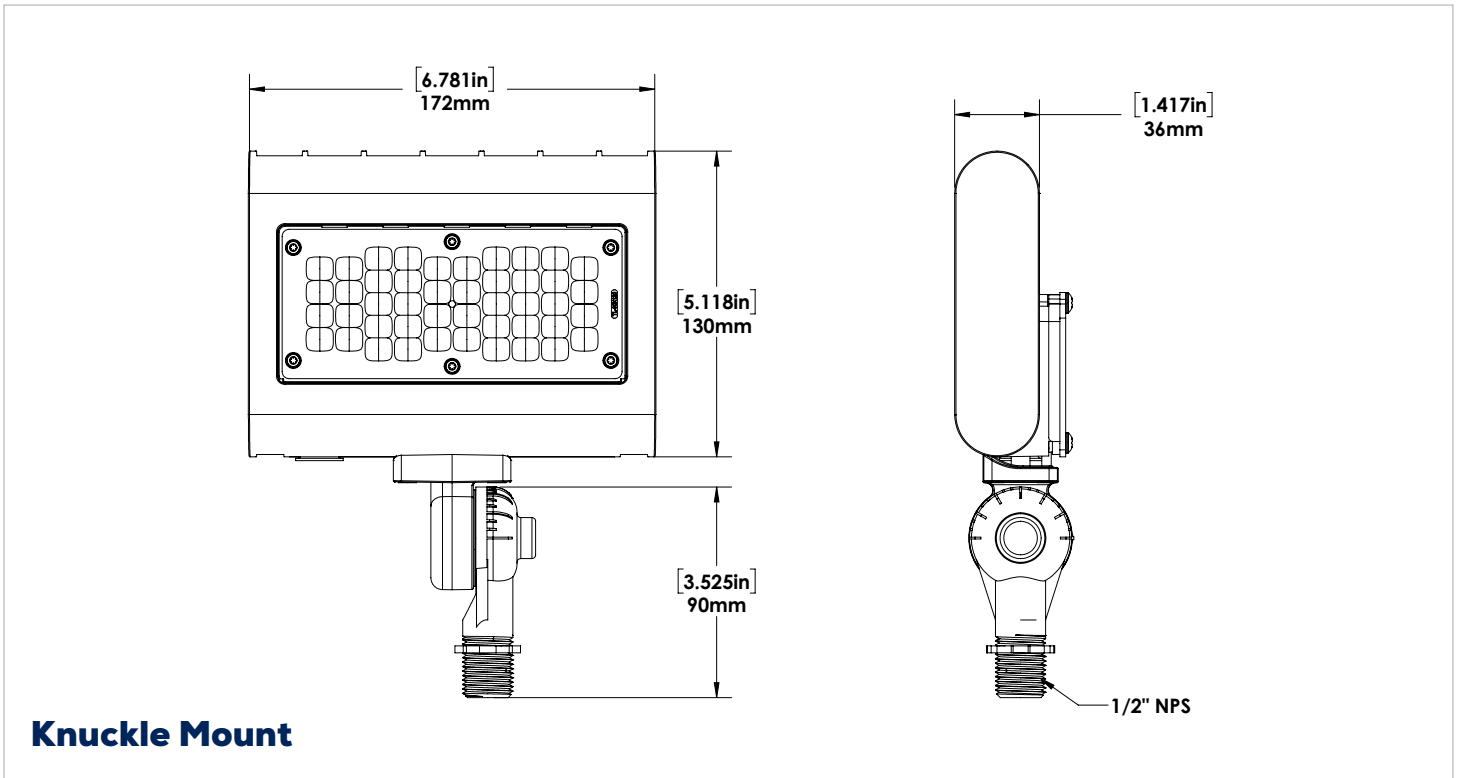
Sign Lighting

FEATURES

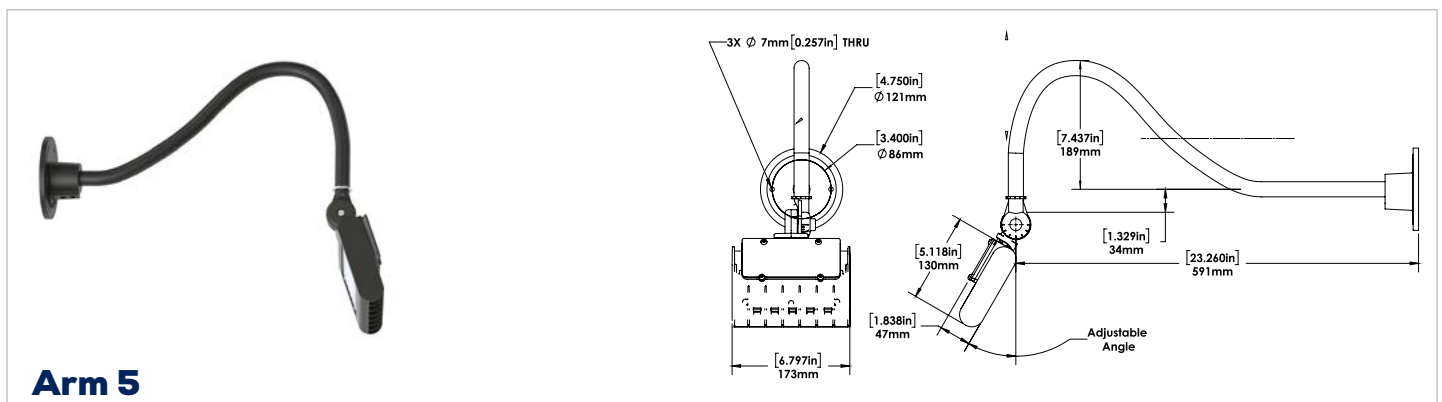
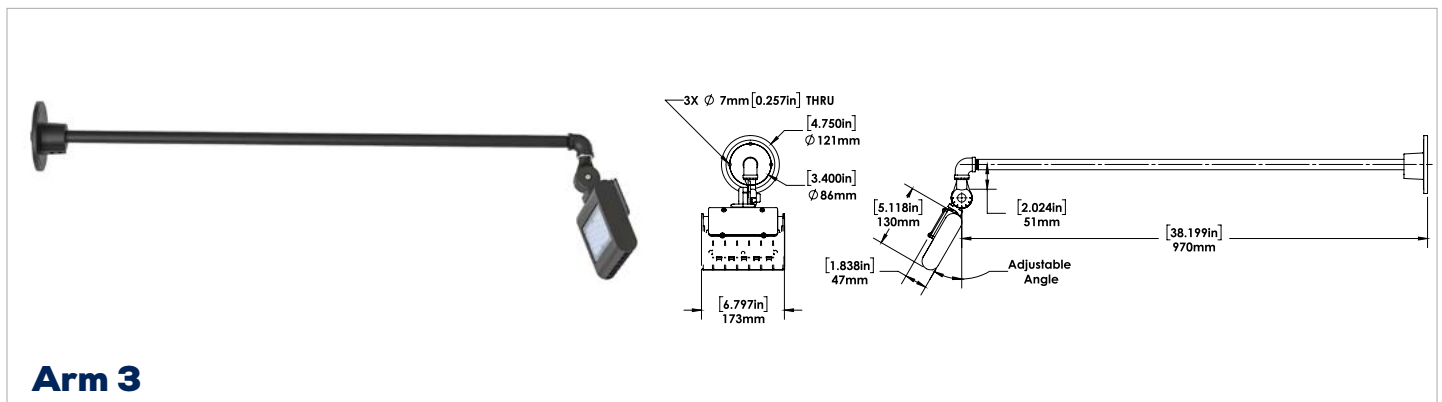
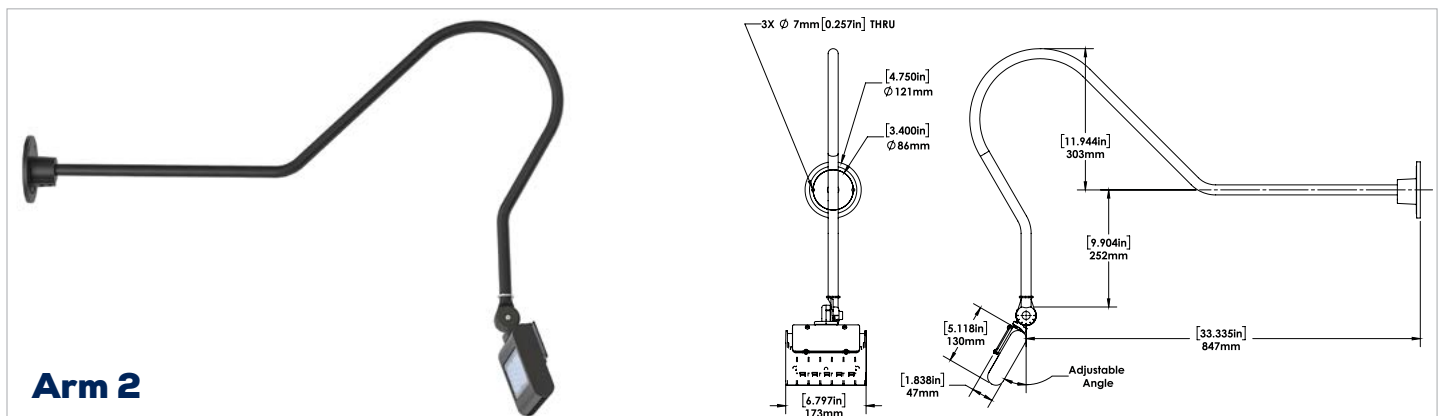
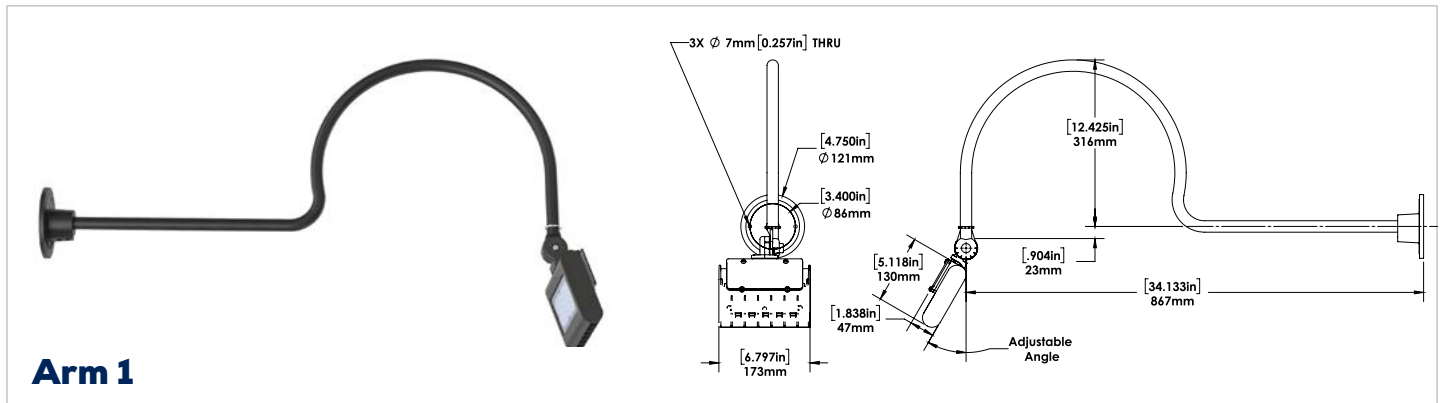
- Die cast aluminum housing with polycarbonate lens.
- Wide 7H X 7V beam is standard.
- Available as a knuckle or yoke mount. Also used as a sign light when combined with various arms.
- Available in 4K or 5K color temperature.
- Ideal replacement for 500W Quartz floods.

*The above specs apply to the standard product configuration. For spec information on other product configurations please see page 2.

DIMENSIONS



SIGN LIGHT DIMENSIONS



OTHER MODEL SPECIFICATIONS

DESCRIPTION	VOLTAGE (V)	INPUT POWER (W)	LIGHT OUTPUT	EFFICACY (Lm/W)	THD	PF	CCT	CRI
FL2-LED31-B-4K-XXX-XX	120-277V	30.39	3929	129.29	17.33	0.928	4000	71.9
FL2-LED31-B-5K-XXX-XX	120-277V	30.39	3976	130.83	17.33	0.928	5000	71.9

LEGEND

B - 120V-277V
 4K - 4000K, 5K - 5000K
 XXX - FINISH
 XX - MOUNTING

ORDERING GUIDE

1. FLOOD LIGHT

FL2	LED31				
WATTS	VOLTAGE	COLOR TEMP.	FINISH	MOUNTING	
	B - 120 - 277V*	4K - 4000K* 5K - 5000K*	BRZ - BRONZE*	KN - KNUCKLE MOUNT* YK - YOKE MOUNT*	

2. SIGN LIGHT

FL2	LED31					
WATTS	VOLTAGE	COLOR TEMP.	FINISH	MOUNTING	ARM	
	B - 120 - 277V*	4K - 4000K* 5K - 5000K*	BRZ - BRONZE* CC - CUSTOM COLOUR	KN - KNUCKLE MOUNT*	ARM1 ARM2 ARM3 ARM5	

*Standard Configuration.