



DVAKSX-LED14

Ceiling Mount LED Vaporproof



SPECIFICATIONS*

Watts	14W
Lumens	1585
Efficacy	111
Replaces Up To	100W Incandescent / 36W CFL Vaporproof fixture
Color Temp	5000K*, 4000K, 3000K
Certification	ETL
Operating Temp	-40°C to 40°C
Voltage	120-277V
LED Life	50,000 hours
Housing Material	Aluminum
Lens Material	Polycarbonate
Power Factor	0.991
CRI	84
THD	10.8%

*Standard



DESCRIPTION

The DVAKSX-LED14 is a versatile fixture that can be used in industrial and architectural applications. The fixture is available in custom colors and has a variety of globe and guard accessories. Not for use in hazardous locations.

APPLICATIONS



Entrances



Stairwells



Tunnels



Service Areas



Restaurants



Elevator Shafts

FEATURES

- Sleek, modern look with the same ruggedness as the original DVAKS fixture.
- 10 minute retrofit. Retrofits to existing 4" round/octagon boxes.
- Polycarbonate lens can be easily replaced with glass globe and guard to provide a different look.
- Precision die cast aluminum housing with powder coat paint finish for industrial and architectural applications.
- Grey polyester powder coat paint finish for protection against oxidization.

ACCESSORIES

RDA Lighting carries a diverse line of durable and cost efficient glass globes. They come in various finishes, which include impregnated colors.

GLASS GLOBES OPTIONS (SOLD SEPARATELY)



GL100
CLEAR GLASS



GL100HR
HEAT RESISTANT



GL100RIB
RIBBED GLASS



GL100SB
SANDBLASTED



RGL100A
AMBER



RGL100B
BLUE



RGL100G
GREEN



RGL100R
RED

GD100CGS CAST GUARD (SOLD SEPARATELY)

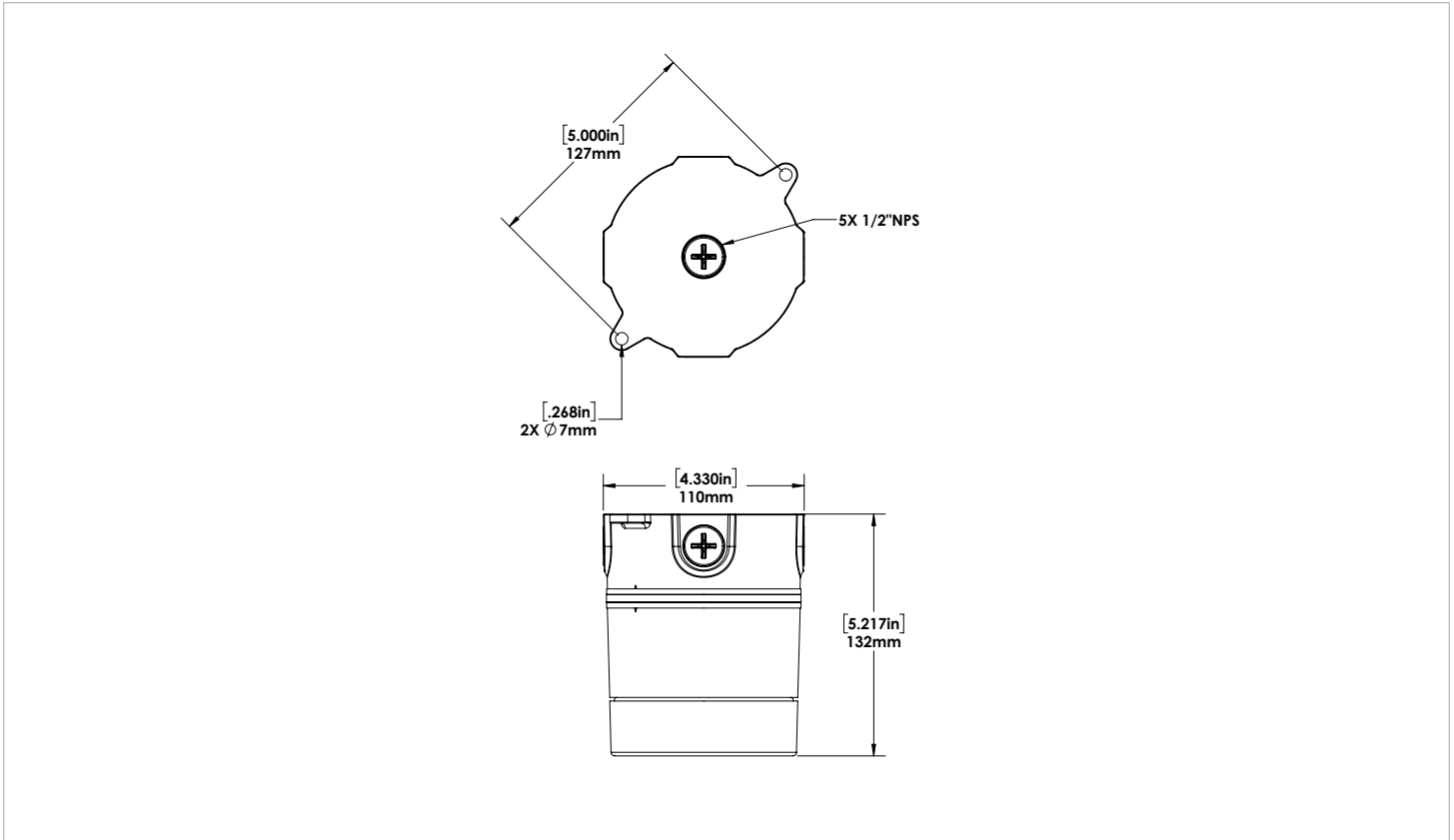


FEATURES

- Heavy duty raw/painted cast guard for use with RDA Lighting Vaporproof fixtures.
- Machined threads for smooth fit to RDA Lighting fixtures.
- Set screw to lock guard securely to fixture.

DVAKSX-LED14 shown with GD100CGS Cast Guard and GL100SB Sandblasted Globe.

DIMENSIONS



MOUNTING OPTIONS

This fixture series is also available in **wall mount** or **pendant mount**.



ORDERING GUIDE

DVAKSX	LED14				
WATTS	VOLTAGE	COLOR TEMP.	FINISH	FR	
	B - 120 - 277V	5K - 5000K*	DGY - DOVE GRAY*	FR - FROSTED LENS*	
		4K - 4000K	CC - CUSTOM		
		3K - 3000K			

*Standard Configuration

FIELD INSTALLED ACCESSORIES:

CHECK THE ACCESSORIES YOU WISH TO ORDER:



Cast Guard - Raw
Finish GD100CGS



Cast Guard - Dove Gray
Finish GD100CGS-DGY



GL100
Clear Glass



GL100HR
Heat Resistant



GL100RIB
Ribbed Glass



GL100SB
Sandblasted



RGL100A
Amber



RGL100B
Blue



RGL100G
Green



RGL100R
Red