

This durable flat panel LED ceiling light is designed for a drop ceiling. The CPL features dimmable driver options and comes in a variety of sizes and color temperatures.



APPLICATIONS

Ideal for offices, schools, public buildings, commercial spaces and hospitals.

Project	
Type	
Date	
Notes	

SPECIFICATIONS

Construction

Housing is made from extruded aluminum. Fixture has an operating temperature range of -25°C to +55°C and is rated for damp location.

Electrical

Total system wattage of the unit is 33W. The standard unit has a high efficiency driver that operates at 120 - 277V.

LED Configuration

The 33W unit delivers 3,619 lumens. The LEDs have a color temperature of 4000K as standard with 3,500K and 5,000K color temperatures available as options.

Optics

Edge lit with no glare.

Dimming

0-10V Dimming is standard.

Mounting

The fixture can be drop ceiling or pendant mounted.

Options

- CCT tuning version available
- hi/lo occupancy sensor

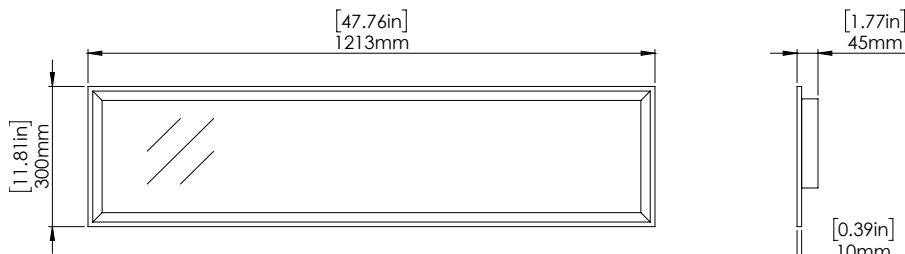
Finish

Aluminum frame with white powder coat paint finish.

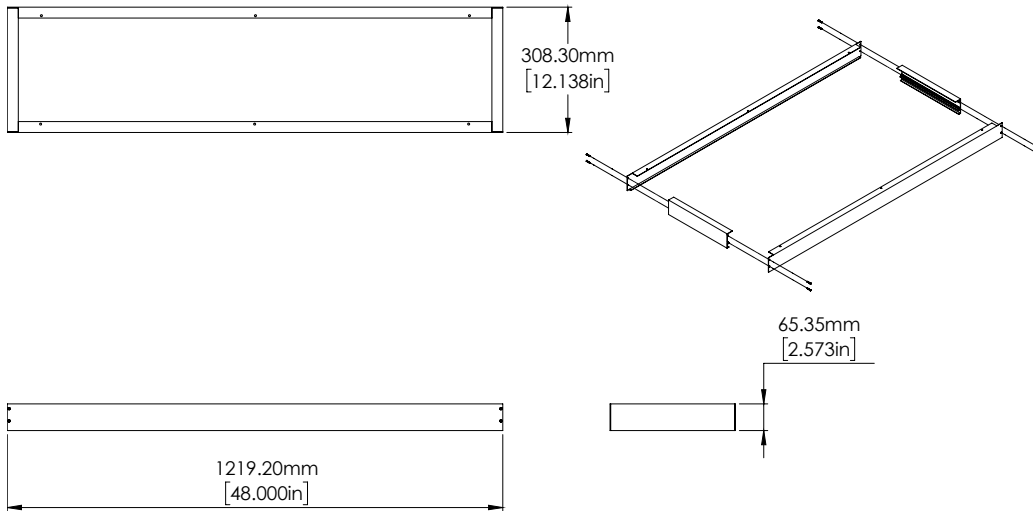
Fixture Watts	33W
Lumens	3,619
Efficacy	111 lumens/watt

Certification	cULus, DLC, rated for damp location
LED Life	100,000 hours
Colour Temperature	4000K(standard) 5000K (option) 3500K(option)
Warranty	5 Years
Operating temperature	-25°C to +55°C
Power Factor	0.91
CRI	>80
Total Harmonic Distortion	16%

DIMENSIONAL DATA



SURFACE MOUNT KIT DIMENSIONS
(ORDER SEPARATELY)



ORDERING GUIDE

CPL14	-	LED32	-		-		-	
		VOLTAGE		COLOR TEMP		FINISH		OPTIONS
		B - 120 - 277V*		5K - 5000K 4K - 4000K* 3.5K - 3500K VK - Variable color		WHT - WHITE*		DIM - 0-10V DIMMING* SHFS - Standard On/ Off high frequency motion sensor

* Standard configuration