



CPL14-LED30

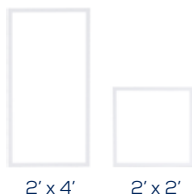
Backlit LED Ceiling Panel

SPECIFICATIONS

Watts	30W
Lumens	3825
Efficacy (Lm/W)	127.5
Color Temp	3.5K, 4K, 5K
Operating Temp	-20°C to +40°C
Voltage	120-277V
THD	<20%
Material	PMMA Lens (acrylic lens) Frame: Aluminum
Beam Angle	120°
Mounting	T-bar ceiling mount (standard), suspension or surface mount kits (optional)
Dimming	0-10V (10%-100%)
PF	>0.9



Other Available Sizes:



2' x 4'

2' x 2'



DESCRIPTION

Ceiling panels with back-lit technology that provide uniform distribution, superior performance and reduced glare.

APPLICATIONS



Offices



Schools



Retail

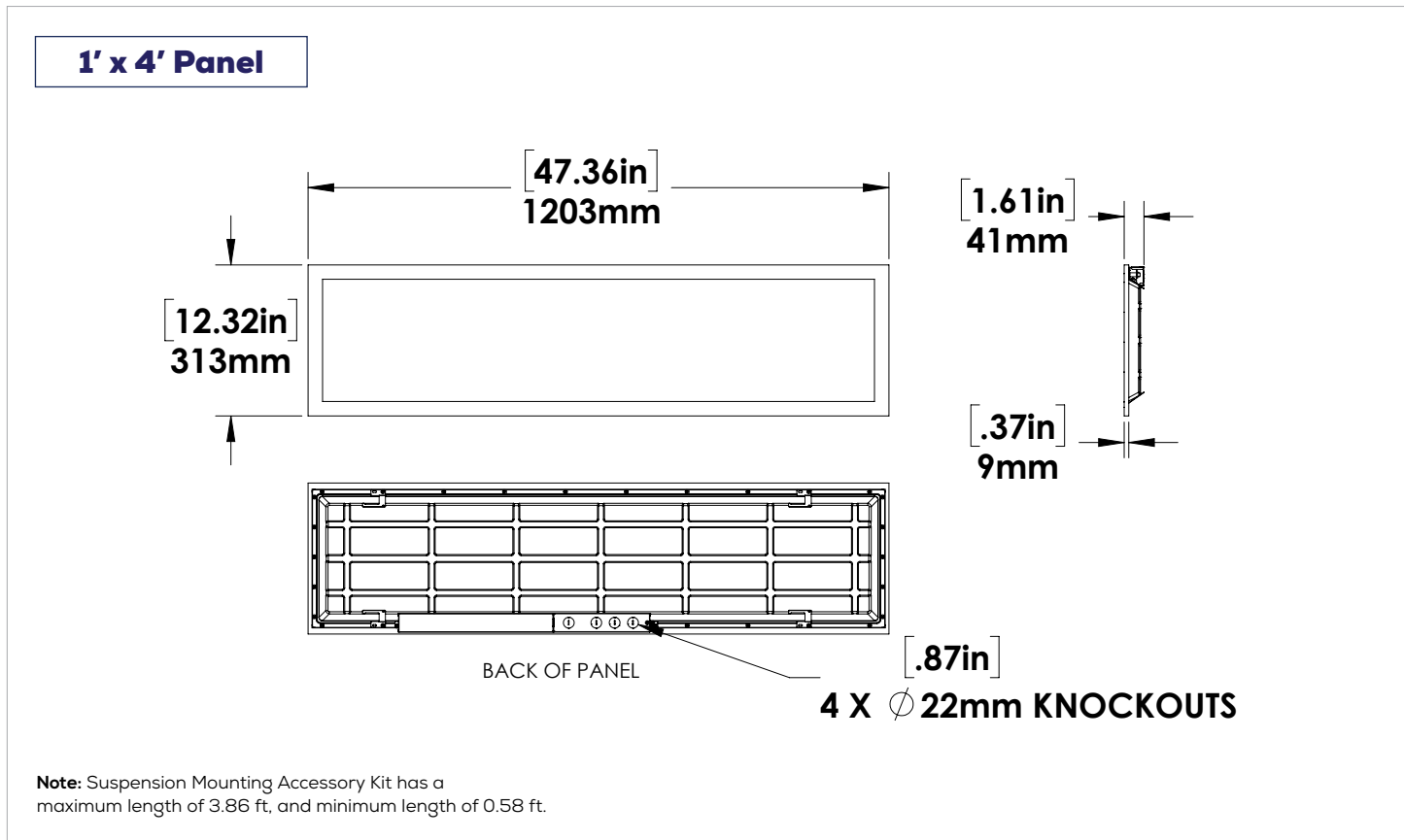


Commercial Spaces

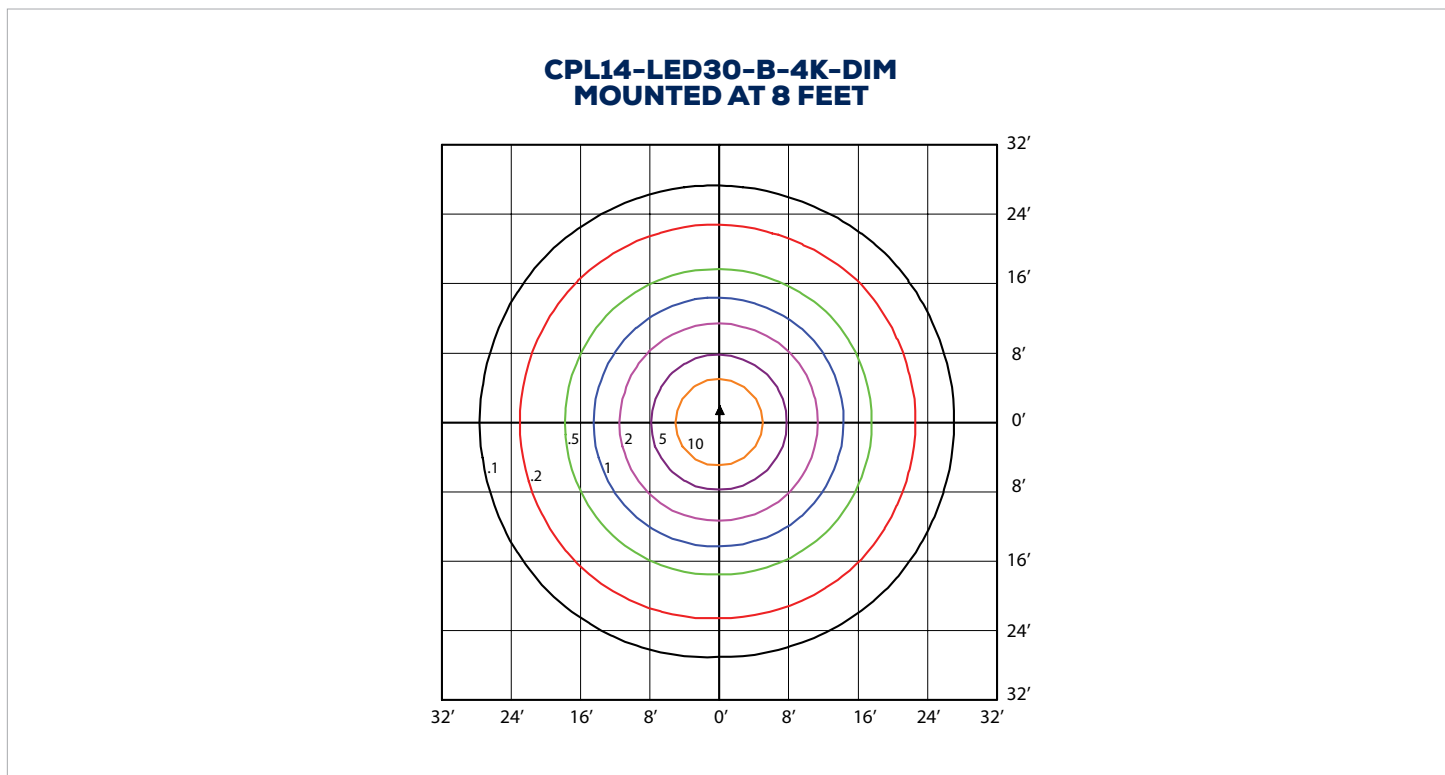
FEATURES

- Backlit ceiling panels with aluminum frame and PMMA lens.
- 1x4, 2x2, 2x4 panels in 3500K, 4000K or 5000K.
- Standard units mount in T-grid ceiling applications.
- Surface mount and pendant mount kits available.

DIMENSIONS



PHOTOMETRICS



MODEL SPECIFICATIONS

MODEL DESCRIPTION	VOLTAGE (V)	WATTAGE (W)	LIGHT OUTPUT (LM)	EFFICACY (LM/W)	THD (%)	PF	CCT (K)	CRI
CPL14-LED30-B-3.5K-DIM	120-277	30	3750	125	11.71	0.9093	3500	82.8
CPL14-LED30-B-4K-DIM	120-277	30	3825	127.5	11.71	0.9093	4000	82.8
CPL14-LED30-B-5K-DIM	120-277	30	3825	127.5	11.71	0.9093	5000	82.8

LEGEND

B - 120V-277V

3.5K - 3500K, 4K - 4000K, 5K - 5000K

DIM - 0-10V Dimming

ORDERING GUIDE

CPL14	LED30			
	VOLTAGE	COLOR TEMP.	DIMMING	
	B - 120-277V*	3.5K - 3500K*	DIM - 0-10V Dimming*	
		4K - 4000K*		
		5K - 5000K*		

*Standard Configuration

ACCESSORIES (OPTIONAL)

051808 - 2 CABLE SUSPENSION MOUNT KIT F/BACKLIT CPL

051097 - CPL14 SURFACE MOUNTING KIT WHT