

The Buffalo is an IP65 rated highbay fixture suitable for harsh environments. The fixture has advanced optics and patented heat sink technology for extended durability.



APPLICATIONS

Ideal for swimming pools, hockey rinks, theaters auditoriums, and warehouses.

Project	
Type	
Date	
Notes	

SPECIFICATIONS

Construction

Die cast aluminum with heat fins on the top and openings on the face of the fixture to ensure the junction temperature on the LEDs remain below operating temperature. Housing has a corrosion proof powder coat paint finish for extended durability in harsh environments.

Ballast Housing

Extruded aluminum with gasketing. Housing has an anodized finish.

Mounting

Standard highbay hook.

LED Configuration

Standard unit comes with Cree 5700k LEDs, CRI > 70. Other colors available. Fixture delivers a minimum of 14,000 lumens at an efficacy of minimum 108 lumens/watt.

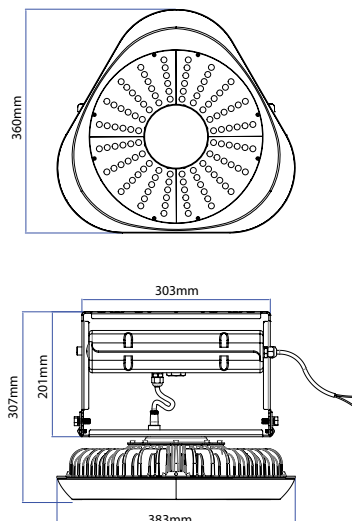
Electrical

Total system wattage is 130W. Driver is enclosed in an aluminum backbox for optimal heat sinking.

Watts	130W
Lumens	Min. 14,000
Efficacy	Min. 108 lumens/watt

Certification	cULus, IP65, DLC
Working temperature	-40°C to +40°C
Colour Temperature	5700K (standard)
LED Life	100,000 hours
Warranty	5 years
Beam Patterns	30° / 50° / 80°

DIMENSIONS



ORDERING GUIDE

BUFFALO	-	LED130	-		-			
				VOLTAGE		COLOR TEMP		OPTICS
				B - 120-277V*		57K - 5,700K*		30 DEG
								50 DEG
								80 DEG

* Standard configuration