

The Buffalo is an IP65 rated highbay fixture suitable for harsh environments. The fixture has advanced optics and patented heat sink technology for extended durability.



### APPLICATIONS

**Ideal for swimming pools, hockey rinks, theaters auditoriums, and warehouses.**

<b>Project</b>	
<b>Type</b>	
<b>Date</b>	
<b>Notes</b>	

### SPECIFICATIONS

#### Construction

Die cast aluminum with heat fins on the top and openings on the face of the fixture to ensure the junction temperature on the LEDs remain below operating temperature. Housing has a corrosion proof powder coat paint finish for extended durability in harsh environments

#### Ballast Housing

Extruded aluminum with gasketing. Housing has an anodized finish.

#### Mounting

Standard highbay hook.

#### LED Configuration

Standard unit comes with Cree 5700k LEDs, CRI > 70. Other colors available. Fixture delivers a minimum of 22,000 lumens at an efficacy of minimum 110 lumens per watt.

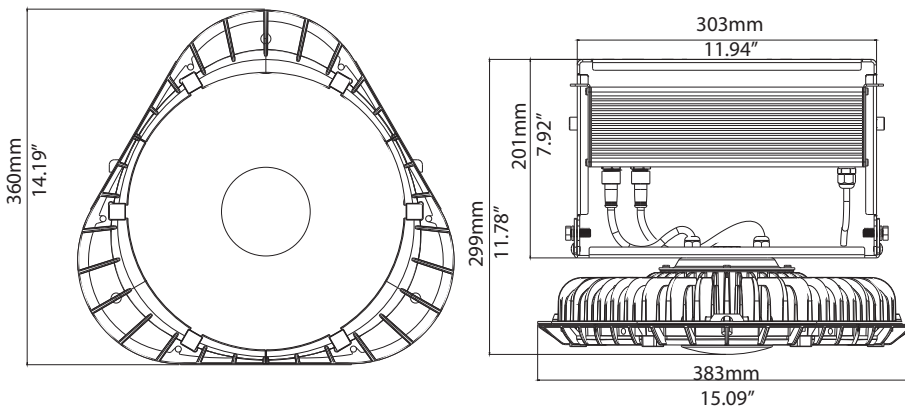
#### Electrical

Total system wattage is 200W. Driver is enclosed in an aluminum back box for optimal heat sinking.

<b>Watts</b>	<b>200W</b>
<b>Lumens</b>	<b>Min. 22,000</b>
<b>Efficacy</b>	<b>Min. 110 lumens per watt</b>

<b>Certification</b>	<b>cULus, IP65, DLC</b>
<b>Working temperature</b>	<b>-40°C to +40°C</b>
<b>Colour Temperature</b>	<b>5700K (standard)</b>
<b>LED Life</b>	<b>100,000 hours</b>
<b>Warranty</b>	<b>5 years</b>
<b>Beam Patterns</b>	<b>30° / 50° / 80°</b>

### DIMENSIONS



ORDERING GUIDE

<b>BUFFALO</b>	-	<b>LED200</b>	-		-		-	
				<b>VOLTAGE</b>		<b>COLOR TEMP</b>		<b>OPTICS</b>
				<b>B -120-277V*</b>		<b>57K - 5,700K*</b>		<b>30 DEG</b>
								<b>50 DEG</b>
								<b>80 DEG</b>

\* Standard configuration