



BL2-LED120

LED Barn/Area Light



SPECIFICATIONS*

Watts	105
Lumens	14,056
Efficacy	133.74
Replaces Up To	400W MH
Color Temp	5,000K
Certification	cULus, DLC Premium
Operating Temp	-40°C to +40°C
Voltage	120-277*
LED Life	50,000 hours
Housing Material	Die Cast Aluminum
Lens Material	Polycarbonate
Finish	Gray
CRI	74.5
Options	90° anodized aluminum arm for mounting on wall/poles
Photocell	Included in package

*Standard



DESCRIPTION

The BL-LED fixture series is a high efficacy, DLC Premium barn/area light ideal for security lighting, industrial yards, farms and barns.

APPLICATIONS



Barns

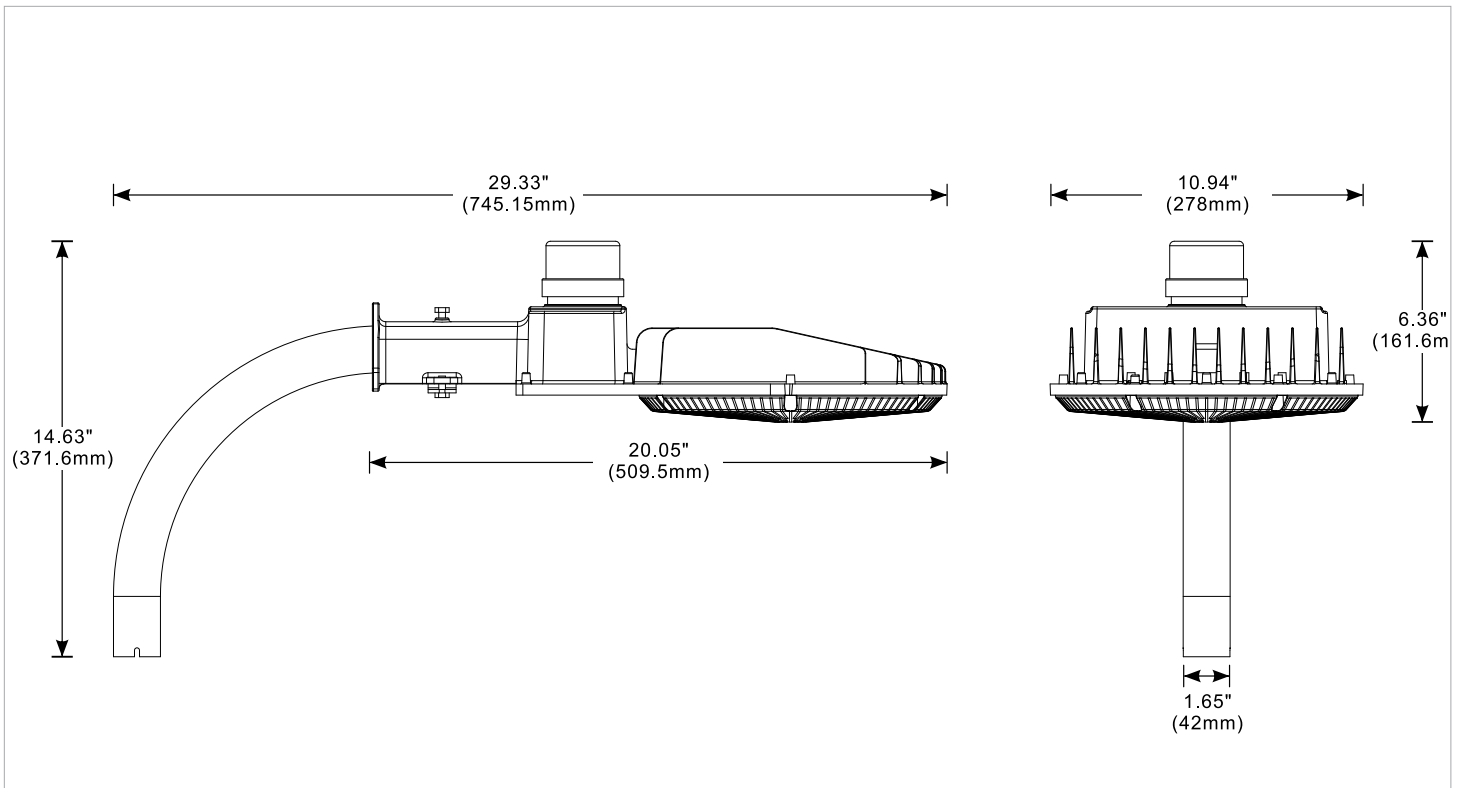
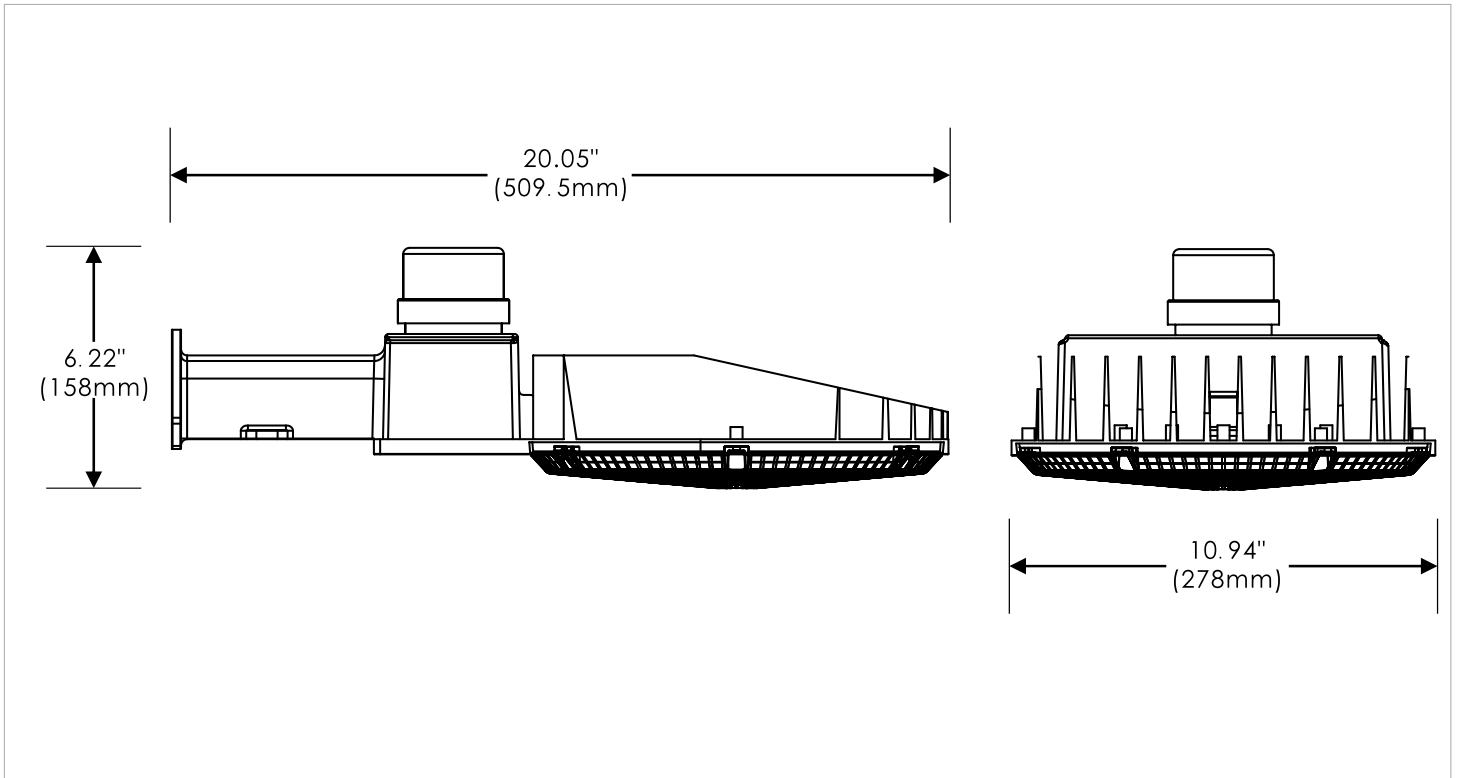
Security Lighting

Industrial Yards

FEATURES

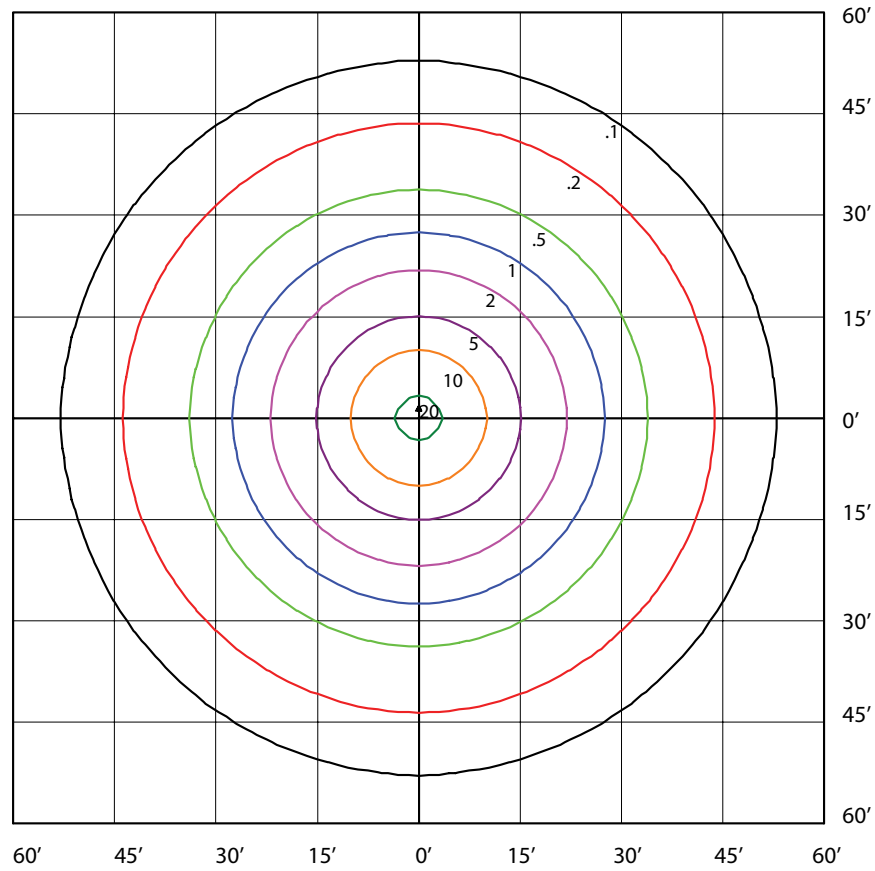
- Fixture delivers over 14,056 lumens at an efficacy of over 133 lumens per watt.
- Rugged die cast aluminum housing with polycarbonate lens.
- UV stabilized powder coat paint finish.
- Photocell for dusk to dawn operation included in the package.

DIMENSIONS



PHOTOMETRICS

BL2-LED120-B-5K-GRY-PC
MOUNTED AT 15 FEET



OTHER MODEL SPECIFICATIONS

MODEL DESCRIPTION	VOLTAGE (V)	INPUT POWER (W)	LIGHT OUTPUT	EFFICACY (Lm/W)	PF	THD	CCT (K)	CRI
BL2-LED120-B-5K-XXX-XX-XX	120-277	105.1	14056	133.74	10.05	0.998	5000	74.5

LEGEND

B - 120V-277V

5K - 5000K

XXX - HOUSING FINISH

XX- LIGHTING CONTROLS (PHOTOCELLS)

XX - LENS TYPE (FROSTED)

ORDERING GUIDE

BL2						
WATTS	VOLTAGE	COLOR TEMP.	FINISH	PHOTOCELL	LENS TYPE	
LED120	B - 120 - 277V*	5K - 5000K*	GRY - GRAY*	PC-PHOTOCELL*	FR-FROSTED LENS*	

ACCESSORIES SOLD SEPARATELY

CHECK THE ACCESSORIES YOU WISH TO ORDER:

90° aluminum anodized arm in grey finish

*Standard Configuration.