



The AL-LED fixtures are high efficiency area lights with multiple beam patterns to suit a variety of applications. Intelligently designed, this series of fixtures provides superior lighting performance and significant energy savings over traditional fixtures

### APPLICATIONS

**Ideal for parking lots, roadways and perimeter lighting applications.**

|                |  |
|----------------|--|
| <b>Project</b> |  |
| <b>Type</b>    |  |
| <b>Date</b>    |  |
| <b>Notes</b>   |  |

### SPECIFICATIONS

#### Construction

Precision die cast aluminum housing with clear polycarbonate lens. The fixture offers superior heat sinking with air-flow fins on the top. The driver enclosure is separate from the optics for improved thermal management.

#### Optics

Unit has high efficiency injection molded optics that have an efficacy (lumens/watt) of approx 100. The LEDs have a color temperature of 5000K as standard. 3000K/4000K available as option. The CRI is greater than 70 and the operating temperature range is -40°C to +40°C. LED life of 100,000 hours.

#### Beam Distribution

Available in T2, T3, T4 and T5 beam patterns for a wide range of applications.

#### Mounting

The AL series can be arm mounted for round or square poles (arms ordered separately). They can also be ordered with a slip fitter or yoke installed. Also available is a wall bracket that is ordered as an option and shipped separately.

#### Electrical

The standard unit has a high efficiency driver that operates at 120 - 277V.

#### Finish

Standard finish is Bronze. Please consult factory for custom color.

#### Options

Photocell

#### AL2-LED Series

|                    |                             |
|--------------------|-----------------------------|
| <b>Input Watts</b> | <b>149W</b>                 |
| <b>Lumens</b>      | <b>min. 17,880</b>          |
| <b>Efficacy</b>    | <b>min. 120 lumens/watt</b> |

|                    |                             |
|--------------------|-----------------------------|
| <b>Input Watts</b> | <b>192W</b>                 |
| <b>Lumens</b>      | <b>min. 23,040</b>          |
| <b>Efficacy</b>    | <b>min. 120 lumens/watt</b> |

|                    |                             |
|--------------------|-----------------------------|
| <b>Input Watts</b> | <b>245W</b>                 |
| <b>Lumens</b>      | <b>min. 29,400</b>          |
| <b>Efficacy</b>    | <b>min. 120 lumens/watt</b> |

|                              |                       |
|------------------------------|-----------------------|
| <b>Operating Temperature</b> | <b>-40°C to +40°C</b> |
|------------------------------|-----------------------|

|                     |                 |
|---------------------|-----------------|
| <b>Power Factor</b> | <b>&gt; 0.9</b> |
|---------------------|-----------------|

|                                  |              |
|----------------------------------|--------------|
| <b>Total Harmonic Distortion</b> | <b>≤ 22%</b> |
|----------------------------------|--------------|

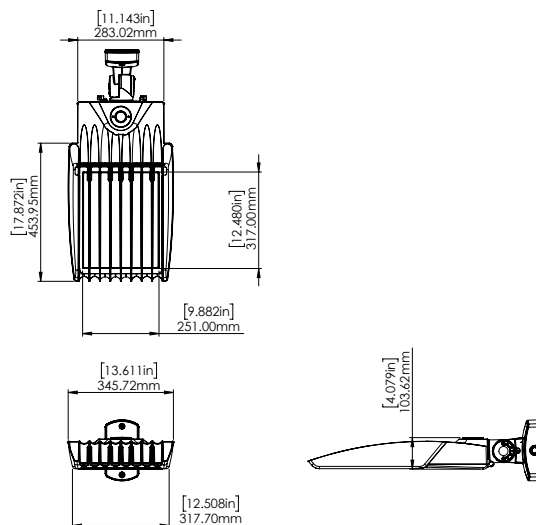
|            |          |
|------------|----------|
| <b>EPA</b> | <b>1</b> |
|------------|----------|

|                      |                   |
|----------------------|-------------------|
| <b>Certification</b> | <b>cULus, DLC</b> |
|----------------------|-------------------|

|                 |                |
|-----------------|----------------|
| <b>Warranty</b> | <b>5 Years</b> |
|-----------------|----------------|

|                          |  |
|--------------------------|--|
| <b>Color Temperature</b> | <b>5000K (standard)<br/>3000K, 4000K (options)</b> |
|--------------------------|--|

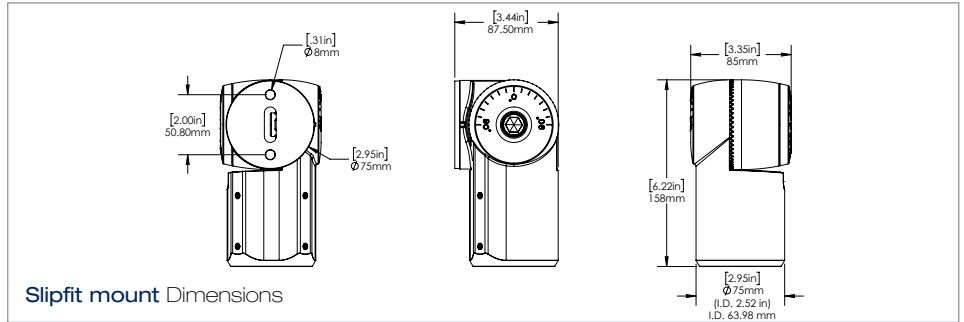
### DIMENSIONS



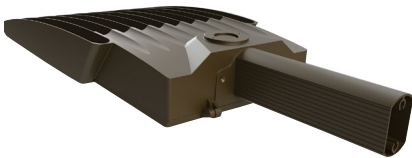
MOUNTING OPTIONS



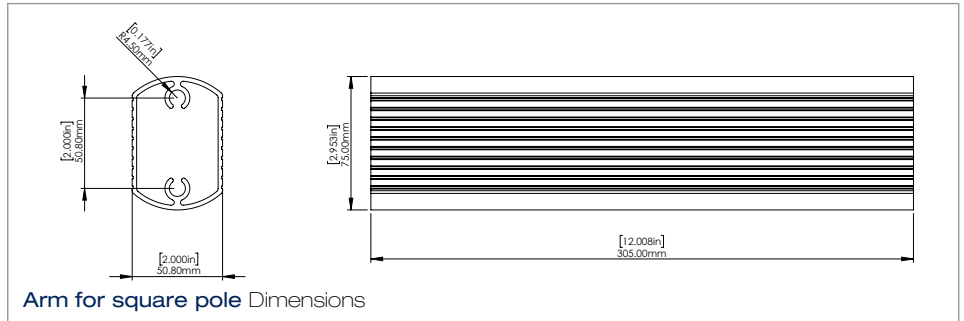
**Slipfit Mount**  
Optional - order separately



**Slipfit mount Dimensions**



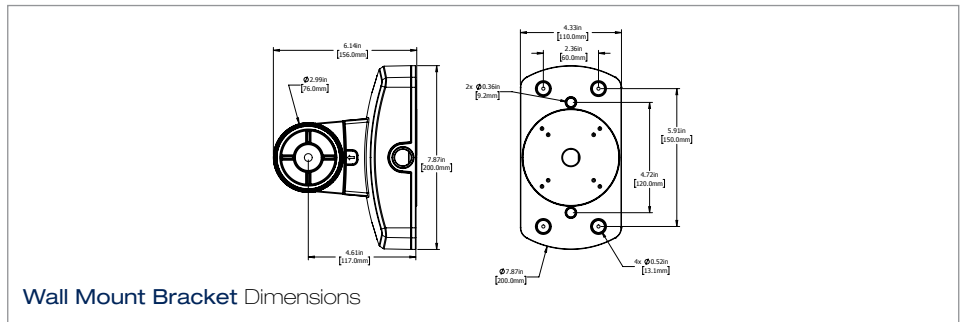
**Arm for square pole**  
Optional - order separately



**Arm for square pole Dimensions**



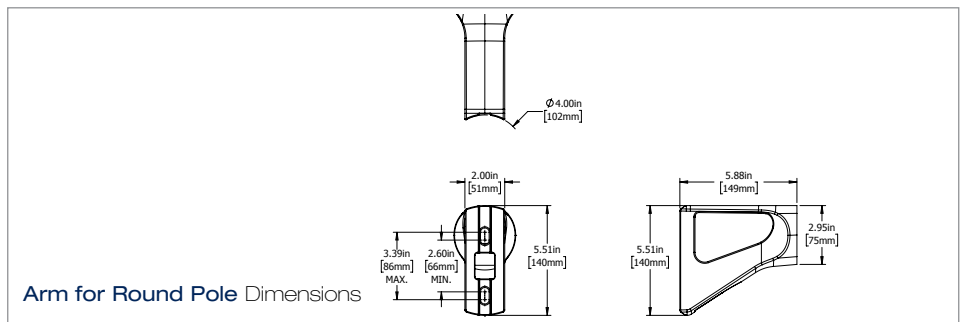
**Wall Mount Bracket**  
Optional - order separately



**Wall Mount Bracket Dimensions**



**Arm for round pole**  
Optional - order separately



**Arm for Round Pole Dimensions**

ORDERING GUIDE

| AL2    | -         | -           | -           | -             | -        | -              | -                             | - | - |
|--------|-----------|-------------|-------------|---------------|----------|----------------|-------------------------------|---|---|
| WATTS  | VOLTAGE   | COLOR TEMP  | BEAM        | FINISH        | DRIVER   | OPTIONS        | MOUNTING**                    |   |   |
| LED150 | B - 120 - | 5K - 5000K* | T2 - TYPE 2 | BRZ - BRONZE* | DIM -    | PC - Photocell | SF - Slipfit                  |   |   |
| LED200 | 277V*     | 4K - 4000K  | T3 - TYPE 3 | CC - CUSTOM   | DIMMABLE |                | WM - Wall Mount               |   |   |
| LED250 | A - 120V  | 3K - 3000K  | T4 - TYPE 4 |               | DRIVER*  |                | S6 - 6" Arm for Square Pole   |   |   |
|        |           |             | T5 - TYPE 5 |               |          |                | S12 - 12" Arm for Square Pole |   |   |
|        |           |             |             |               |          |                | R6 - 6" Arm for Round Pole    |   |   |
|        |           |             |             |               |          |                | R12 - 12" Arm for Round Pole  |   |   |

\*Standard configuration

\*\* All mounting configurations sold separately