



The AL-LED fixtures are high efficiency area lights with multiple beam patterns to suit a variety of applications. Intelligently designed, this series of fixtures provides superior lighting performance and significant energy savings over traditional fixtures

### APPLICATIONS

**Ideal for parking lots, roadways and perimeter lighting applications.**

<b>Project</b>	
<b>Type</b>	
<b>Date</b>	
<b>Notes</b>	

### SPECIFICATIONS

#### Construction

Precision die cast aluminum housing with clear polycarbonate lens. The fixture offers superior heat sinking with air-flow fins on the top. The driver enclosure is separate from the optics for improved thermal management.

#### Optics

Unit has high efficiency injection molded optics that have an efficacy (lumens/watt) of approx 100. The LEDs have a color temperature of 5000K as standard. 3000K/4000K available as option. The CRI is greater than 70 and the operating temperature range is -40°C to +40°C. LED life of 100,000 hours.

#### Beam Distribution

Available in T2, T3, T4 and T5 beam patterns for a wide range of applications.

#### Mounting

The AL series can be arm mounted for round or square poles (arms ordered separately). They can also be ordered with a slip fitter or yoke installed. Also available is a wall bracket that is ordered as an option and shipped separately.

#### Electrical

The standard unit has a high efficiency driver that operates at 120 - 277V.

#### Finish

Standard finish is Bronze. Please consult factory for custom color.

#### Options

Photocell

#### AL2-LED Series

<b>Input Watts</b>	<b>149W</b>
<b>Lumens</b>	<b>min. 17,880</b>
<b>Efficacy</b>	<b>min. 120 lumens/watt</b>

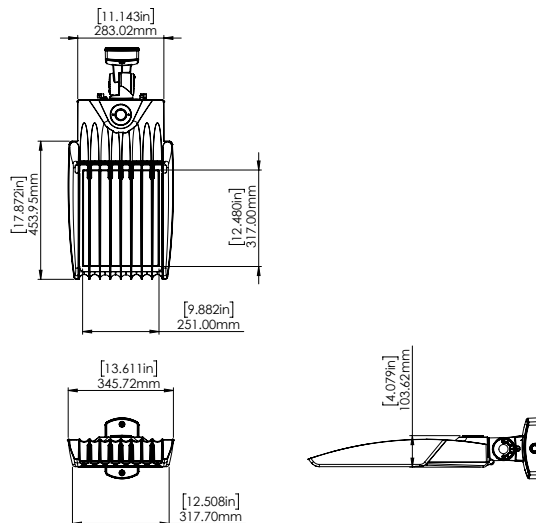
<b>Input Watts</b>	<b>192W</b>
<b>Lumens</b>	<b>min. 23,040</b>
<b>Efficacy</b>	<b>min. 120 lumens/watt</b>

<b>Input Watts</b>	<b>245W</b>
<b>Lumens</b>	<b>min. 29,400</b>
<b>Efficacy</b>	<b>min. 120 lumens/watt</b>

<b>Input Watts</b>	<b>275W</b>
<b>Lumens</b>	<b>min. 33,000</b>
<b>Efficacy</b>	<b>min. 120 lumens/watt</b>

<b>Operating Temperature</b>	<b>-40°C to +40°C</b>
<b>Certification</b>	<b>cULus</b>
<b>Warranty</b>	<b>5 Years</b>
<b>Color Temperature</b>	<b>5000K (standard) 3000K, 4000K (options)</b>

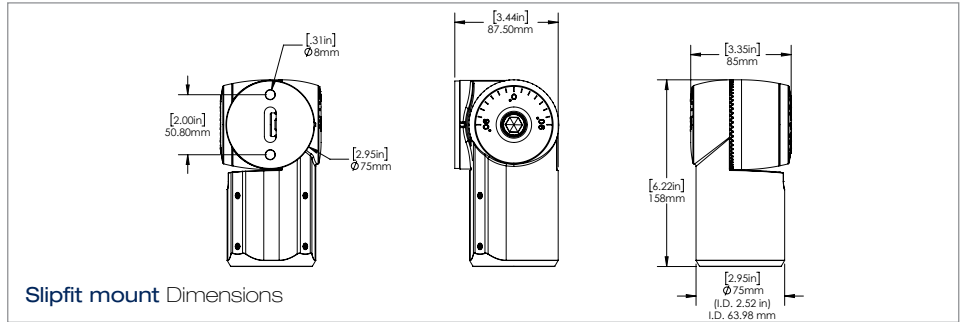
### DIMENSIONS



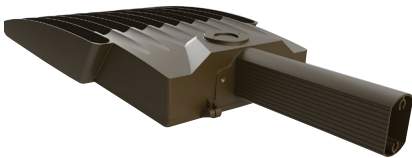
MOUNTING OPTIONS



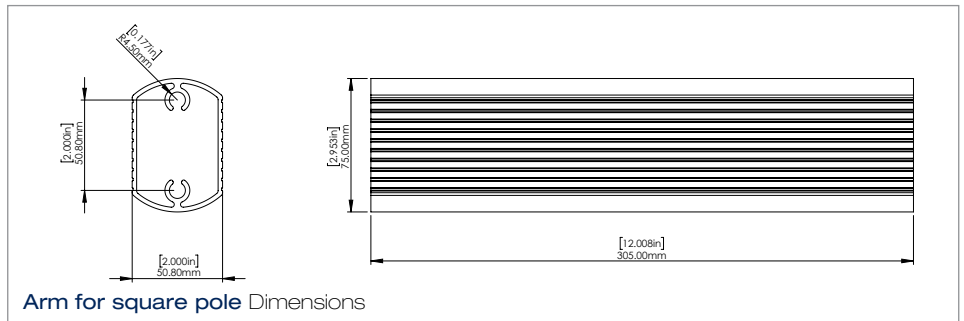
**Slipfit Mount**  
Optional - order separately



**Slipfit mount Dimensions**



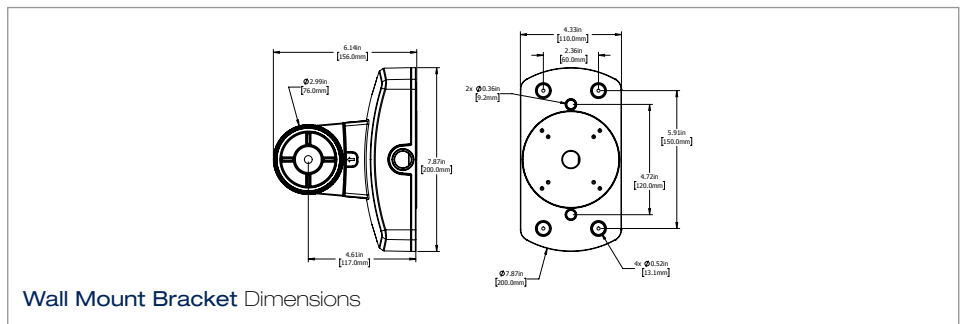
**Arm for square pole**  
Optional - order separately



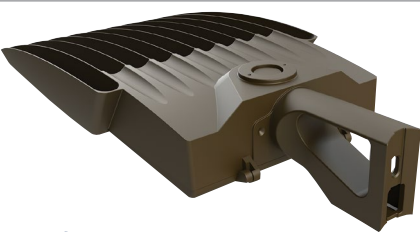
**Arm for square pole Dimensions**



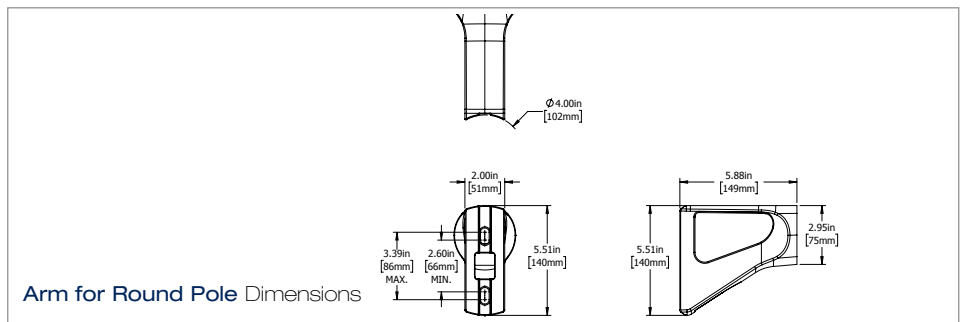
**Wall Mount Bracket**  
Optional - order separately



**Wall Mount Bracket Dimensions**



**Arm for round pole**  
Optional - order separately



**Arm for Round Pole Dimensions**

ORDERING GUIDE

AL2	-	-	-	-	-	-	-	-	-
WATTS	VOLTAGE	COLOR TEMP	BEAM	FINISH	DRIVER	OPTIONS	MOUNTING**		
LED150	B - 120 -	5K - 5000K*	T2 - TYPE 2	BRZ - BRONZE*	DIM -	PC - Photocell	SF - Slipfit		
LED200	277V*	4K - 4000K	T3 - TYPE 3	CC - CUSTOM	DIMMABLE		WM - Wall Mount		
LED250	A - 120V	3K - 3000K	T4 - TYPE 4		DRIVER*		S6 - 6" Arm for Square Pole		
LED275			T5 - TYPE 5				S12 - 12" Arm for Square Pole		
							R6 - 6" Arm for Round Pole		
							R12 - 12" Arm for Round Pole		

\*Standard configuration

\*\* All mounting configurations sold separately