

The FL1-LED15 is an energy efficient LED flood light that replaces a 150W Quartz fixture.



### APPLICATIONS

**Ideal for lighting patios, yards, landscapes and building facades.**

|                |  |
|----------------|--|
| <b>Project</b> |  |
| <b>Type</b>    |  |
| <b>Date</b>    |  |
| <b>Notes</b>   |  |

### SPECIFICATIONS

#### Construction

Die cast aluminum housing with polycarbonate lens. Lens is firmly attached to fixture with 4 screws. The fixture has air flow fins at the back for heat dissipation. The FL1-LED15 is suitable for outdoor locations and is rated IP65.

#### LED configuration

18 LED chips with built in wide beam optics. LEDs have a standard color temperature of 4000K, 5,000K is available as an option. The operating temperature range is -40°C to +40°C.

#### Electrical

Total system wattage of the unit is 16W. The standard unit has a high efficiency driver that operates at 120 - 277V. The yoke mount option includes a 2ft (610mm) SJTW cord coupled with a waterproof stainless steel strain relief.

#### Mounting

Fixture has a 1/2" NPT aluminum knuckle that allows for precise aiming. The knuckle is to be mounted on to a cover plate (sold separately). The fixture can be wall or ground mounted. The fixture is also available as a yoke mount.

#### Finish

Standard finish is Bronze.

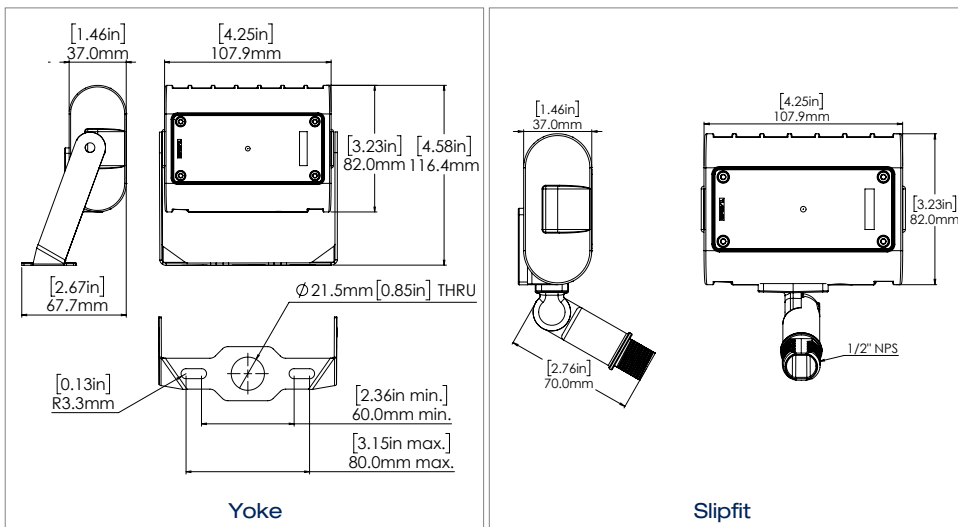
#### Accessories

DC100 - bronze cover plate (sold separately)

|                      |                           |
|----------------------|---------------------------|
| <b>Watts</b>         | <b>16W</b>                |
| <b>Equivalent to</b> | <b>150W Quartz</b>        |
| <b>Lumens</b>        | <b>1,468</b>              |
| <b>Efficacy</b>      | <b>96 lumens per watt</b> |

|                                  |  |
|----------------------------------|--|
| <b>Operating Temperature</b>     | <b>-40°C to +40°C</b>                    |
| <b>Certification</b>             | <b>cULus, IP65, DLC</b>                  |
| <b>LED Life</b>                  | <b>100,000 hours</b>                     |
| <b>Color Temperature</b>         | <b>4,000K standard<br/>5,000K option</b> |
| <b>Warranty</b>                  | <b>5 years</b>                           |
| <b>Power Factor</b>              | <b>0.9</b>                               |
| <b>Total Harmonic Distortion</b> | <b>20%</b>                               |
| <b>CRI</b>                       | <b>&gt;80</b>                            |

### DIMENSIONS



Shown as Yoke Mount



ORDERING GUIDE



\* Standard configuration