

### Twin Head LED Floodlight With Motion Sensor

The MS2HR is a fully adjustable twin head floodlight with a motion sensor that activates dual security lights when motion is detected and can be set up for convenient dusk to dawn operation.



#### APPLICATIONS

**The MS2HR has a detection range of 240° and is ideal for outdoor use on building perimeters and entrances.**

<b>Project</b>	
<b>Type</b>	
<b>Date</b>	
<b>Notes</b>	

#### SPECIFICATIONS

##### Construction

Durable aluminum construction making it suitable for outdoor use. Fixtures are round in shape and have a clear tempered glass lens. The unit is fully adjustable to direct light where needed.

##### LED configuration

Each fixture head comprises one high efficiency LED Chip on Board. Complete fixture delivers a minimum of 2000 lumens. The LEDs have a colour temperature of 5000K.

##### Electrical

Each fixture has a power consumption of 14W making it a total of 28W(14W X 2).

##### Mounting

Fixture can be wall or ceiling mounted and mounts directly on to standard junction boxes.

##### Voltage

120V AC, 60 Hertz

##### Power factor

0.9

##### Detection method

Passive Infrared Sensor

##### Detection range

45 feet X 240° at 8 feet mounting height

##### Time adjustment

5 seconds to 7 minutes

##### Daylight Adjustment

Fully adjustable for 24 hour operation or custom applications.

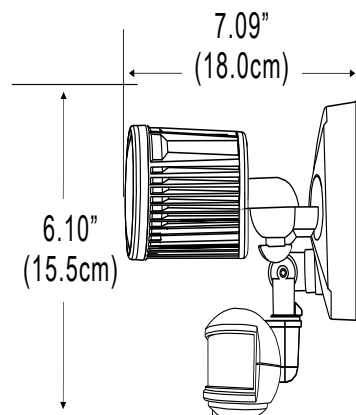
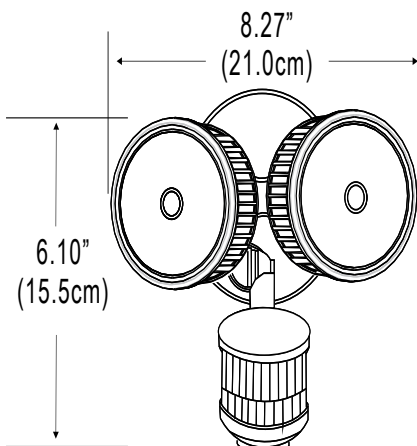
##### Finish

Available in black or white

<b>LED Watts</b>	<b>28W (14W X 2)</b>
<b>Lumens</b>	<b>Min. 2000 lumens</b>
<b>Efficiency</b>	<b>71 lumens per watt</b>

<b>Operating Temperature</b>	<b>-40°C - +40°C</b>
<b>Certification</b>	<b>cCSAus</b>
<b>Warranty</b>	<b>5 Years</b>
<b>Colour Temperature</b>	<b>5000K (standard)</b>
<b>LED Life(L70)</b>	<b>50,000 hours</b>

#### DIMENSIONS

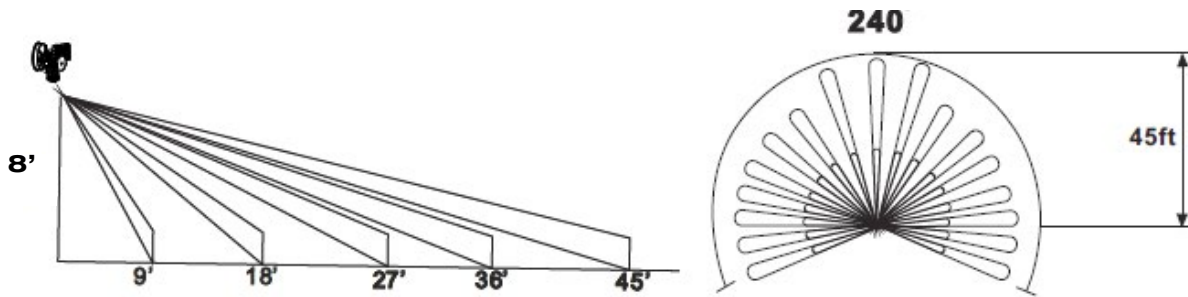


240°

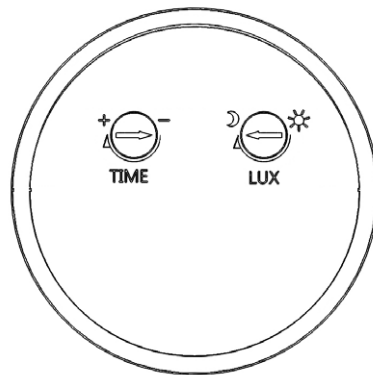
Shown in a White Finish



SENSOR DETECTION RANGE



CONTROLS



**Daylight Adjustment Dial (LUX)**

Deactivates lights during daylight. Fully adjustable for 24 hour operation or custom applications. For normal dusk (night) operation set the dial about three-quarters of a turn towards the "moon" symbol.

**Time Dial (TIME)**

Controls how long the light will remain on without activity. The range is from 5 seconds to 7 minutes. For maximum 7 minutes, set the dial at the "+" symbol.

ORDERING GUIDE

<b>MS2HR</b>	-	<b>28</b>	-	<b>A</b>	-	<b>5K</b>	-		-	<b>240</b>
		<b>WATTAGE</b>		<b>VOLTAGE</b>		<b>COLOUR TEMP.</b>		<b>FINISH</b>		<b>RANGE</b>
		<b>28W</b>		<b>A - 120V</b>		<b>5K - 5000K</b>		<b>BLK - Black</b> <b>WHT - White</b>		<b>240 - 240°</b>