

INSTALLATION INSTRUCTIONS



ELECTRICAL SHOCK HAZARD

READ, UNDERSTAND, and FOLLOW these instructions before installing the equipment.

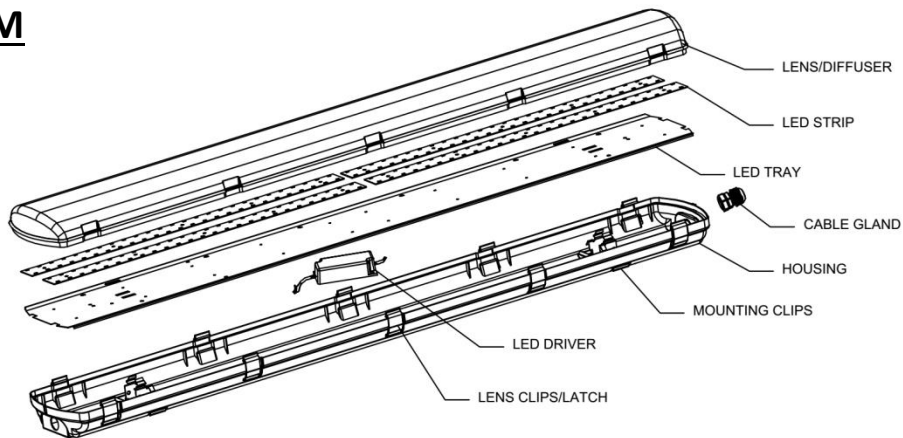
WARNING

Disconnect the Electrical supply power at the service panel (fuse or circuit breaker box). Failure to do so could result in serious injury or death. Only qualified electricians should install this fixture and the installation **MUST** conform to the Electrical Code and all local codes and ordinances. Ensure that only proper tools, materials, and equipment are used to complete the installation.

SAFETY

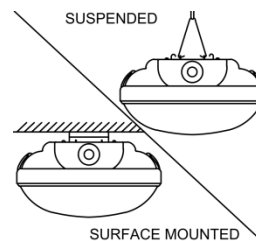
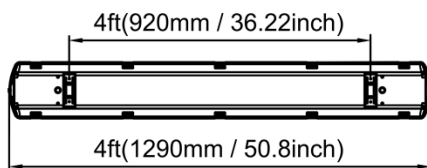
- Proper grounding is required to ensure personal safety.
- Fixture should be mounted in locations where unauthorized personnel will not readily subject it to tampering.
- Do not use this equipment for anything other than its intended purpose.
- Servicing this equipment should be performed by qualified service personnel.
- Save these instructions.

FIXTURE DIAGRAM



INSTALLATION

1. Fix the stainless steel hook brackets to the ceiling at 36 inches center to center, using the screws provided. Ensure to use the proper anchors depending on the type of ceiling. Attach the back housing to the stainless steel hook brackets. The fixture can also optionally be suspended mounted.



2. Remove lens by unlatching lens clips. Detach LED tray to access cord grip connector and disconnect plugs.
3. Run AC power source of rated voltage wires into cord grip connector supplied or use sealed conduit and connectors with suitable type flexible cable, water resistant and heat (min. 90°C) 300V voltage (configured for 120V, 277V) and 600V voltage (configured for 347V), 0.170" to 0.450" diameter. Make sure you have enough wire length to reach the disconnect means inside the unit.
4. Connect the AC line voltage to the disconnect plugs. LINE to BLACK wire and NEUTRAL to WHITE wires. Connect GROUND to GREEN wire attached to the gear tray.
5. Snap the LED tray back into the housing and re-install lens.

