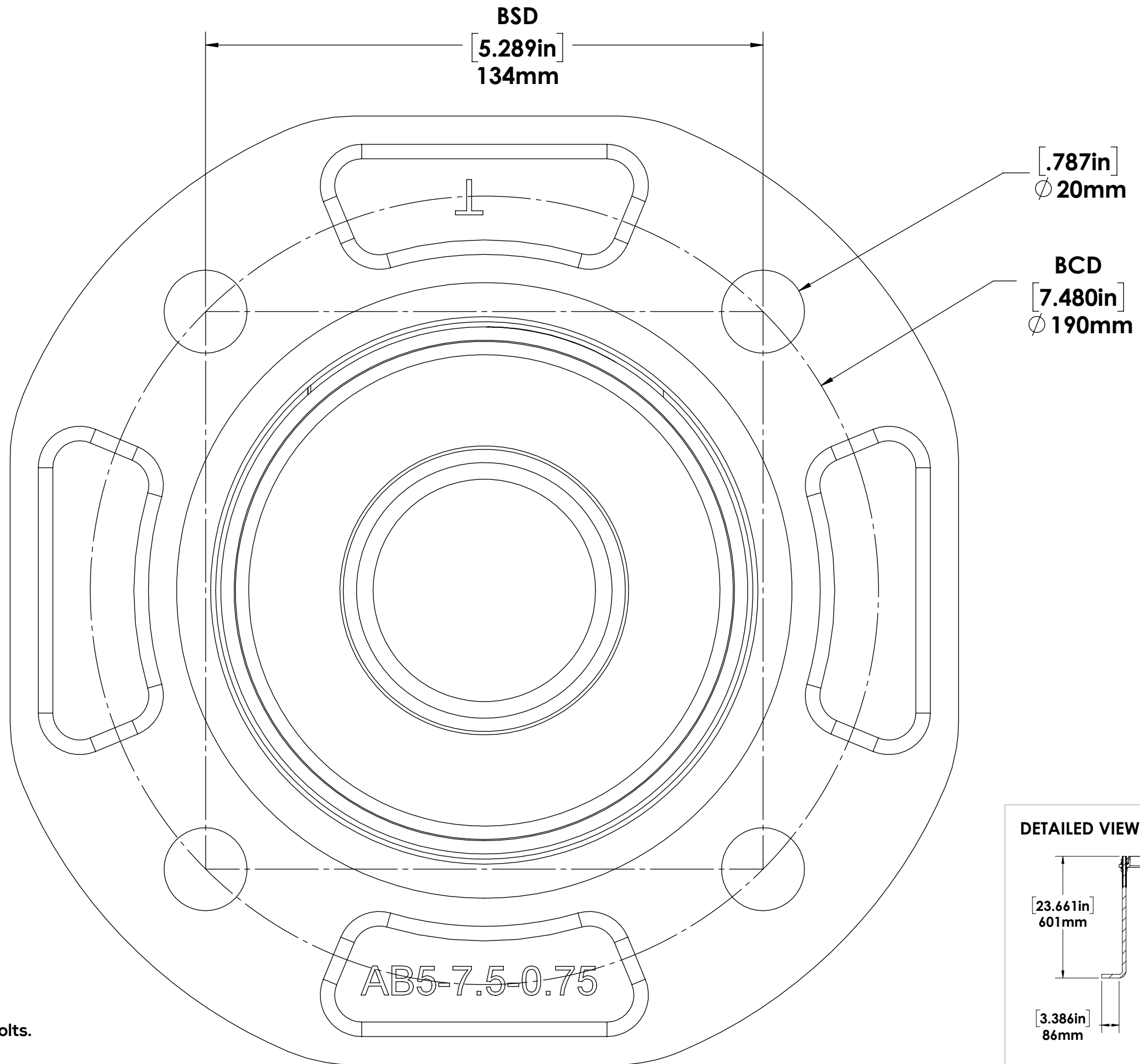




### BOLT TEMPLATE PATTERN FOR:

**ATR**  
Aluminum Tapered  
Round Pole



### WARNING:

Template must be printed on  
11" x 17" sheet for actual size.  
CHECK SCALE BEFORE USING.  
Templates shipped with anchor bolts.

