

## INSTALLATION INSTRUCTIONS

**IMPORTANT: READ CAREFULLY BEFORE INSTALLING FIXTURE. SAVE THESE INSTRUCTIONS.**

**WARNING:** Disconnect power during installation and before maintaining.

**SAFETY:** This fixture must be wired in accordance with the Canadian Electrical Code, and applicable local codes and ordinances.

Proper grounding is required to ensure personal safety.

A qualified electrician should perform all wiring.

### PRODUCT SPECIFICATION

- Detection Method: Passive Infrared Sensor (PIR)
- Sensor Range: 45ft (13.7m) x 240 degree spread (approx.)
- Time Adjustment: 5 seconds to 7 minutes (approx.)
- Power Source: 120VAC/60Hz, 32.50W
- With AC COB LED Chip: 2 pcs \* 14W
- Load Rating: No extra Lights should be added to this unit

### INSTALLATION & WIRING:

- Attach the crossbar to junction box using the mounting screws.
- Connect black wire (live wire) from the AC power to the single black wire from the fixture.
- Connect the white wire (common) from the AC power to the white wire from the fixture.
- Connect the ground wire from the power side to the green/yellow wire (ground) from the fixture.
- Make sure the polarity is correct.
- Attach the light to the crossbar screws and secure with the screw nuts.
- After installation, be sure to apply a bead of silicone compound all around backing where it meets with the surface to ensure a weatherproof installation.

**DO NOT MOUNT ON THE GROUND**

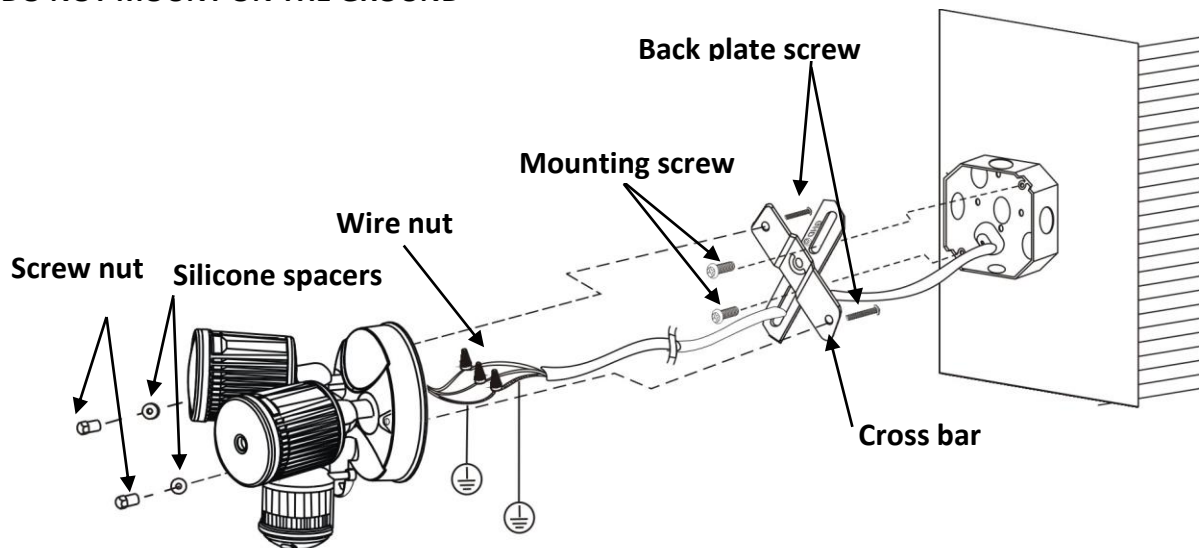


Fig. A

Recommended height installation: 6.5' to 8.25'

## SETTING THE MOTION DETECTOR

Detection Range: 45ft (13.7m) \* 240 degree

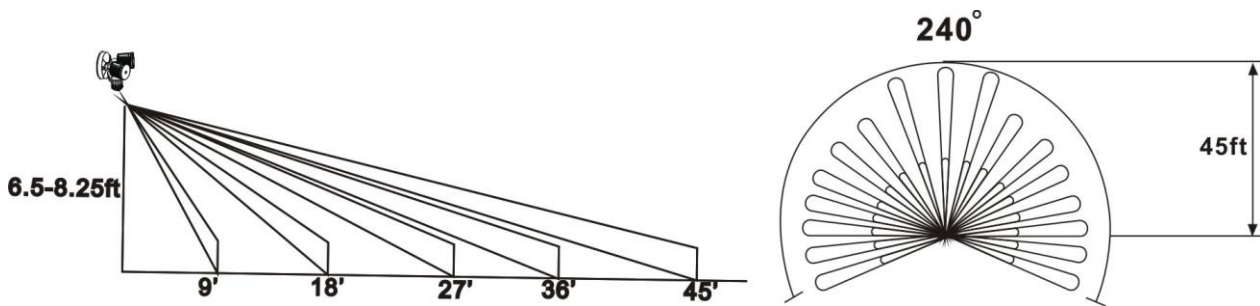


Fig. B

## PIR SENSOR ADJUSTMENT

**DUSK LEVEL SETTING (LUX)** – controls the light level at which the motion security light triggers

- for motion in the dark, turn the dial to ☾
- for motion in bright light, turn the dial to ☀

## DO NOT OVERTURN

**TIME SETTING** – controls the time span for light to be on when motion is detected

- turn the dial to the “+” side to increase the illumination time (7 minutes max.)
- turn dial to the “-“ to reduce the illumination time (5 seconds min.)

## DO NOT OVERTURN.

**Note:** When you first install your security light, you must aim the sensor head to cover the desired area.



Fig. C



TIME



LUX

## AIM LAMP HEADS AND PIR SENSOR

- Adjust the lamp head to get desired light direction
- Turn on electricity at fuse or circuit breaker box and verify success of installation
- Apply silicone caulking (not included) around the perimeter of the fixture where it contacts the mounting surface for moisture seal