

# LFX4-LED LIT FOR THE EXTREME



## LFX4-LED - 4' LINEAR VAPORPROOF FIXTURE



Extreme environments are effortless for RDA Lighting's new line of vapor proof fixtures. This linear LED improves the water tight and durable features of earlier models into a premium fixture with a polycarbonate lens and no fewer than 12 clips.

The result is a highly efficient, dimmable, moisture, corrosion and bacteria resistant fixture available in a 4 foot length, with an 8 foot length coming soon. The LFX is ideal for parking lots, industrial and agricultural applications, food processing industries, poultry barns and other harsh environments.

## FEATURES & BENEFITS

- **RUGGED DESIGN RATED FOR EXTREME CONDITIONS**
- **CONDUIT ENTRIES ON BACK AND SIDE FOR EASY INSTALLATION**
- **QUICK AND EASY WALL OR CEILING MOUNTING WITH OPTIONAL CHAIN MOUNT**
- **OPTIONAL NSF RATING**



**LFX4-LED  
Vaporproof  
Fixture**

**Fixture comes with 2 stainless steel mounting brackets** for quick and easy mounting direct on the wall or ceiling. Additional mounting options include suspended chain mount.



**Grey Polycarbonate Finish**

**0 - 10V dimming and a MS-HF - Integrated high frequency sensor** available as options.

Polycarbonate UV stabilized housing, with opal lens attached using 6 polycarbonate clips on each side.

**IDEAL FOR**

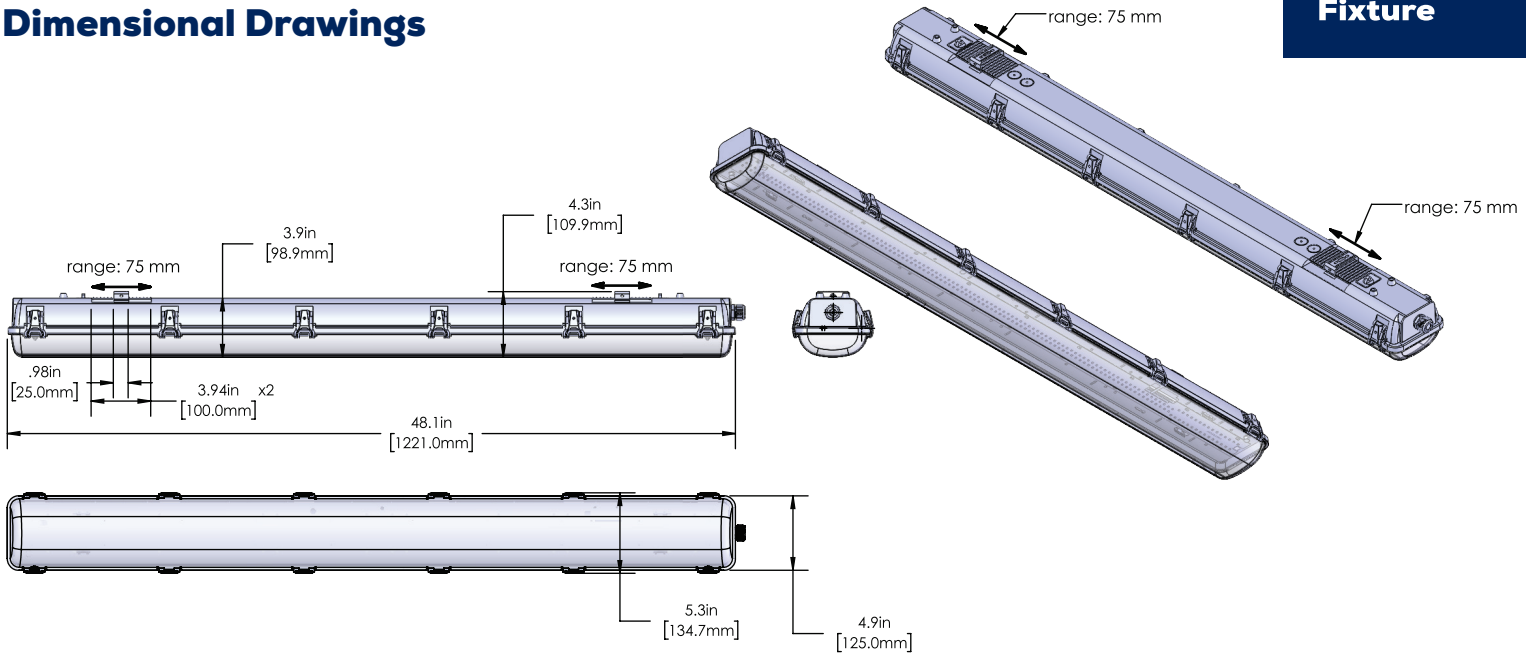
- UNDERGROUND PARKING GARAGES
- INDUSTRIAL FACILITIES
- DAIRY BARNS
- FOOD PROCESSING INDUSTRIES
- HARSH ENVIRONMENTS



**TECHNICAL SPECIFICATIONS**

	LFX4-LED40	LFX4-LED60
Efficacy (lumens/watt)	min. 133	min. 128
LED Life	100,000 hours	
Lumens	min. 5,320	min. 7,800
Watts	40W	61W
Working Temp	-40°C to +40°C	
Color Temp	4,000K	
Finish	Grey	
Mount	Ceiling, Surface or Suspended Mount	
Voltage	120-277V	
Options	Stainless steel clips, 0-10V dimming, integrated high frequency motion sensor, NSF, Emergency backup	

## Dimensional Drawings



## Ordering Guide



**LFX4-LED40  
LFX4-LED60**

**VOLTAGE**  
B- 120-277V

**COLOR TEMP**  
4K - 4000K

**FINISH**  
GRY - Grey

**OPTIONS**  
DIM - 0-10V Dimming  
SHFS - Standard On/Off  
high frequency motion sensor  
DHFS - Dimming high  
frequency sensor  
SSC - Stainless steel clips  
NSF - NSF Rating  
EMG - Emergency backup

**The RDA Lighting difference lies in our unique combination of design, manufacturing and engineering excellence under one roof, all of which is geared towards satisfying the unique and varying needs of our customers with the high quality standard that our customers have come to expect.**





## **About RDA Lighting**

RDA Lighting designs and manufactures a wide range of high quality commercial, industrial and residential LED lighting products and solutions, which are sold primarily through a large network of electrical distributors. With in-house design, engineering and custom manufacturing expertise, RDA prides itself on delivering added value to ensure every customer project is a success. RDA is a division of a Canadian lighting leader which has been at the forefront of the industry for over 40 years.

**For more information or a free lighting consultation, visit [www.rdalighting.com](http://www.rdalighting.com) or call toll free at 1-855-865-5445.**