

INSTALLATION INSTRUCTIONS



ELECTRICAL SHOCK HAZARD

READ, UNDERSTAND, and FOLLOW these instructions before installing the equipment.

WARNING

Disconnect the Electrical supply power at the service panel (fuse or circuit breaker box). Failure to do so could result in serious injury or death. Only qualified electricians should install this fixture and the installation MUST conform to the Electrical Code and all local codes and ordinances. Ensure that only proper tools, materials, and equipment are used to complete the installation.

SAFETY

- Proper grounding is required to ensure personal safety.
- Fixture should be mounted in locations where unauthorized personnel will not readily subject it to tampering.
- Do not use this equipment for anything other than its intended purpose.
- Servicing this equipment should be performed by qualified service personnel.
- Save these instructions.
- This equipment has been tested and found to comply with the limits for a Class B digital device, pursuant to part 15 of the FCC Rules. These limits are designed to provide reasonable protection against harmful interference in a residential installation. This equipment generates, uses and can radiate radio frequency energy and, if not installed and used in accordance with the instructions, may cause harmful interference to radio communications.
- Changes or modifications to this unit not expressly approved by the party responsible for compliance Could void the user authority to operate the equipment.

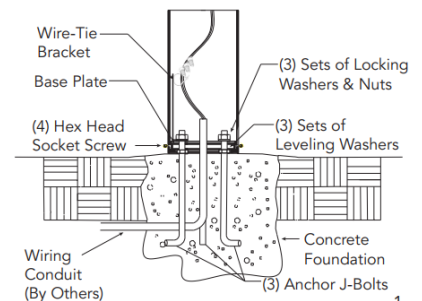
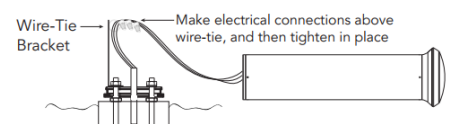
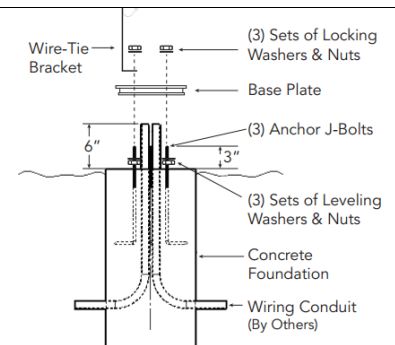
INSTALLATION

BOLLARD INSTALLATION

1. Attach the anchor bolts to the concrete with a bolt centred diameter of 5.118" and the thread should protrude at least 3" from the concrete.
2. Insert a nut followed by a washer to each anchor bolts.
3. Place base plate over the over the bolts.
4. Install wire and tie bracket on the base plate to one of the anchor bolts.
5. Loosely tighten the flat washer and the nuts onto the bolts.
6. Level the base plate by adjusting the leveling nuts under the base plate. Then tighten the upper nuts on top of the base plate.
7. Place the conduit wires through the wire-tie in the wire-tie bracket, Do the connection through the zip-tie and tighten the wire – tie to make sure the wires are above the ground level.
8. Make wiring connection as per the wiring diagram.
9. Place the fixture above the base plate and tighten the four hex head socket screws at the bottom of column.

ROTATING THE HEAD WITH CUTOFF SHEILD

1. Loosen the four set screws under the head and rotate the head to desired position
2. Re- tightens the screws.



RAY8-LED

INSTALLATION INSTRUCTIONS

WIRING

- Check that the line voltage is correct.
- Connect fixture **GROUND** (green) wire to power supply **GROUND** (green) wire.
- Connect fixture **WHITE** wire to power supply **NEUTRAL** wire.
- Connect fixture **BLACK** wire to power supply **LINE** wire
- If the fixture includes 0-10V dimming functionality, connect **GREY** and **VIOLET** wires to the dimming controller.

