

The AWL-LED26 is a wall pack with an adjustable head that can be aimed straight down for dark sky requirements or aimed out to deliver the light where required.



APPLICATIONS

Ideal for use on outdoor walls along perimeters of buildings, townhouses, condominiums, schools.

Project	
Type	
Date	
Notes	

SPECIFICATIONS

Construction

Die cast aluminum housing with tamperproof stainless steel hardware. Clear tempered glass lens with a gasket. There are 4 conduit entries. The unit has a unique hanging hook assembly for easy installation and a leveling bubble on the back box for proper alignment.

LED configuration

The AWL-LED26 has one LED Chip On Board (COB) that delivers 2954 lumens. The LEDs have a colour temperature of 5000K as standard. 3000K and 4000K also available. The LEDs have a CRI of greater than 70 and an operating temperature range of -40°C to +40°C.

Adjustable head

The fixture can be aimed 0° - 90° delivering more lumens on the ground where needed.

Electrical

Total system wattage of the unit is 26W. The standard unit has a dimmable high efficiency driver that operates at 120 - 277V.

Finish

Standard finish is Bronze, White and Black. Please consult factory for custom colour.

Options

Photocell.

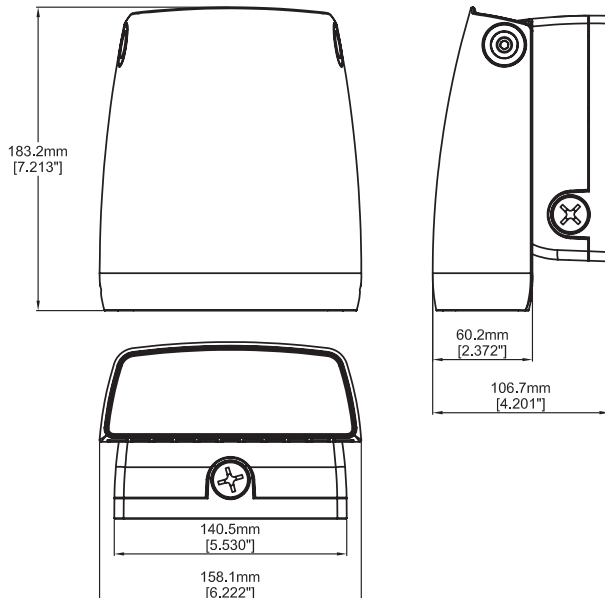
Related Products

MS180DIM (Dimmable Smart Sensor)
MS180S (On/Off Sensor)

Equivalent to	up to 175W MH
Input Watts	26W
Lumens	2954 lumens
Efficiency	114 lumens per watt

Operating Temperature	-40°C to +40°C
Certification	cULus, DLC, IP65 meets LM79, LM80
LED life	100,000 hours
Colour Temperature	5000K (standard) 4000K, 3000K (Option)
Warranty	5 Years

DIMENSIONS

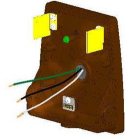


Shown with Optional Motion Sensor

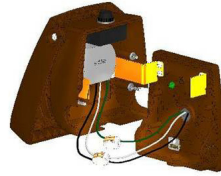


INSTALLATION INFORMATION

1. Open fixture, mount back box to junction box



2. Rest fixture onto hook and connect wires



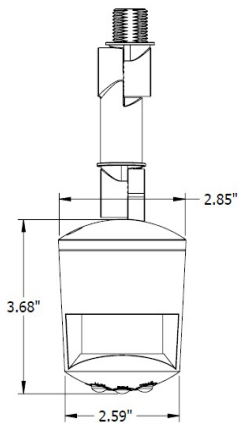
3. Reattach fixture to back box



RELATED PRODUCTS

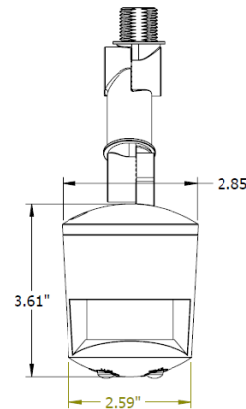
MS180DIM 0 - 10V Dimmable Smart Sensor (DMS)

MS180S On/Off Sensor (SMS)



Combine AWL-LED Series fixtures with a Dimmable Smart Sensor

The MS180DIM is a fully adjustable, dimmable smart sensor that allows you to provide reduced light levels as low as 10% when no motion is detected.



Combine AWL-LED Series fixtures with an On/Off Sensor

The MS180S is a fully adjustable motion sensor that can be set for dusk to dawn operation or other custom applications.

Features: Dimmable Smart Sensor

- Adjustable light levels ensure fixture is fully on when needed and dimmed or off when not.
- Smart dimming reduces electrical load and heat generated by the fixture resulting in increased fixture life.
- Sensor has an extension arm with two rotatable joints that allow mounting from the bottom conduit access or the side conduit access of fixture.
- Daylight sensor without smart dimming (MS180S) also available in the same design.

Contact us to learn more.

PHOTOMETRIC DATA

CATALOG NUMBER: AWL-LED26-A-5K-BRZ

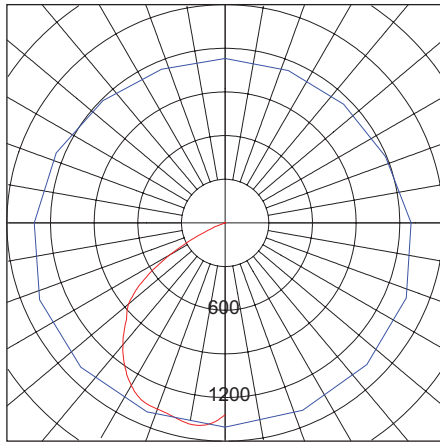
FILENAME: AWL-LED26-A-5K-BRZ-PC.IES
 IESNA:LM-63-1995
 [TESTLAB] UL Verification Services (Guangzhou) Co., Ltd.
 [TESTDATE] 2014-12-15
 [ISSUEDATE] 2014-12-15

[LUMCAT] AWL-LED26-A-5K-BRZ
 [LUMINAIRE] AWL SERIES
 [LAMPCAT] CLL030-1212A1
 [LAMP]

SUMMARY DATA

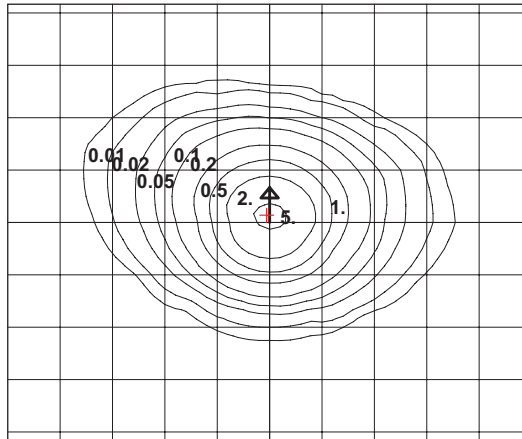
EFFICIENCY (Total): - 303473.7 %
 EFFICIENCY (Down / Up): - 303319.4 % / - 154.2 %
 EFFICIENCY (Street / House): 0.0 % / 0.0 %
 LUMENS/LAMP: -1
 NO. OF LAMPS: 1
 LUMINOUS OPENING: RECTANGULAR
 Width: 0.03 (Meters)
 Length: 0.01
 Height: 0.06
 INPUT WATTS: 26.65

LANE CONE DIAGRAM



MAX CANDLEPOWER: 1404.463

ISO-ILLUMINANCE DIAGRAM



Mounting Height	Multiplier
10	2.250
15	1.000
20	0.563
25	0.360
30	0.250
35	0.184
40	0.141
45	0.111
50	0.090

+ = Point of max candela

Mounting Height = 15 Feet. Each box represents one mounting height.

ORDERING GUIDE

AWL	-	LED26	-		-		-		-		
				VOLTAGE		COLOR TEMP		FINISH		OPTION	DRIVER
				B - 120-277V* A - 120V F - 277V		5K - 5000K* 4K - 4000K 3K - 3000K		BRZ- BRONZE* WHT - WHITE* BLK - BLACK* CC - CUSTOM COLOR		PC - Photocell	DIM - Dimmable*

* Standard configuration

Consult customer service to add dimmable smart sensor (MS180DIM) or on/off sensor (MS180S) to the AWL fixture as a combined unit.